

fothermo

use the power of sun



EN
**Photovoltaic
water heater
(PVB-10-30-80)**

Technical description,
installation, operation and
maintenance instructions,
warranty conditions

DE
**Photovoltaischer
Boiler
(PVB-10-30-80)**

Technische Beschreibung,
Montage-, Betriebs- und
Wartungsanleitung, Gewähr-
leistungsbedingungen

FR
**Chauffe-eau
photovoltaïque
(PVB-10-30-80)**

Description technique,
instructions de montage,
de fonctionnement et
d'entretien, conditions
de garantie

IT
**Boiler fotovoltaico
(PVB-10-30-80)**

Descrizione tecnica, Istru-
zioni per montaggio, funzio-
namento e manutenzione,
condizioni di garanzia

NL
**Fotovoltaïsche boiler
(PVB-10-30-80)**

Technische omschrijving,
installatie, bediening en
onderhoud instructies,
garantievoorwaarden

Table of contents

Inhaltsverzeichnis / Table de matières /
Contenuto / Inhoudsopgave

EN	
Specifications	05
System modes	06
Assembly	07
Connection	08
Further information	09
General warnings	09
Safety instructions	09
Further important notes	09
Technical data	09
Assembly	10
Connection to the water supply	10
Electrical connection	11
Operation	13
Maintenance	14
Malfunction	14
Environmental protection	14
Warranty	15
DE	
Spezifikationen	16
System-Modi	17
Montage	18
Anschluss	19
Weiterführende Informationen	20
Allgemeine Warnhinweise	20
Sicherheitshinweise	20
Weitere wichtige Hinweise	20
Technische Daten	21
Montage	21
Anschluss an die Wasserleitung	21
Elektrischer Anschluss	23
Betrieb	24
Störungen	26
Umweltschutz	26
Gewährleistung	26
FR	
Spécifications	28
Modes de système	29
Montage	30
Raccordement	31
Plus de renseignements	32
Avertissements généraux	32
Instructions de sécurité	32
Autres renseignements techniques importants	32
Caractéristiques techniques	33
Montage	33

Raccordement à l'alimentation en eau	33
Connexion électrique	34
Fonctionnement	36
Perturbation du fonctionnement	38
Protection de l'environnement	38
Garantie	38

IT

Specificazioni	40
Regimi del sistema	41
Assemblaggio	42
Connessione	43
Informazioni aggiuntive	44
Avvertenze generali	44
Istruzioni di sicurezza	44
Altre note importanti	44
Dati tecnici	44
Montaggio	45
Connessione alla rete idrica	45
Connessione elettrica	46
Lavoro	48
Guasto	50
Protezione ambientale	50
Garanzia	50

NL

Specificatie	52
System modi	53
Montage	54
Aansluiting	55
Verdere informatie	56
Algemene waarschuwingen	56
Veiligheidsinstructie	56
Verdere belangrijke opmerkingen	56
Technische gegevens	56
Montage	57
Wateraansluiting	57
Elektrische aansluiting	58
Bediening	60
Defecten	62
Milieubescherming	62
Garantie	62

IMPORTANT!

Please read these operating instructions carefully before installing and commissioning the hot water tank!

WICHTIG!

Bitte lesen Sie diese Bedienungsanleitung vor Montage und Inbetriebnahme des Warmwasserspeichers sorgfältig durch!

IMPORTANT !

Veuillez lire attentivement ces instructions d'utilisation avant de procéder au montage et à la mise en service du chauffe-eau !

IMPORTANTE!

Leggere attentamente queste istruzioni per l'uso prima di installare e mettere in funzione il boiler per acqua calda!

BELANGRIJK!

Lees deze gebruiksaanwijzing zorgvuldig door voordat u de boiler installeert en in gebruik neemt!

Contact

**Kontakt / Contact / Contatto /
Contact**



fothermo System AG
Beim Mühlbach 3
89171 Illerkirchberg
Germany



+49 (0)1520 439 058 9



contact@fothermo.com

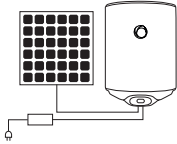
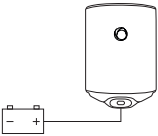
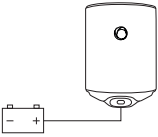
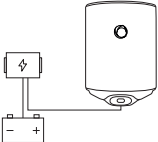
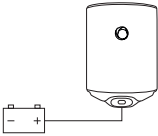
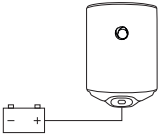
Registry court Ulm: HRB 739609
VAT: DE329022123

Specifications

specifications	unit	value		
photovoltaic water heater				
product name	–	PVB-10	PVB-30	PVB-80
volume	l	9.5	29	77
max. heating power	W	550	550	550
max. current consumption	A	15.5	15.5	15.5
energy efficiency class	–	A+	A+	A+
rated pressure	MPa	0.7	0.7	0.7
IP-class	–	X1	24	24
gross weight (± 3 %)	kg	7.2	15	25
max. water temperature	°C	65	65	65
adjustable water temperature range for optional reheating	°C	10–65	10–65	10–65
integrated MPP-tracker	–	✓	✓	✓
integrated reverse polarity protection	–	✓	✓	✓
digital display	–	✓	✓	✓
prepared for external reheating and battery connection	–	✓	✓	✓
boiler made of steel with enamel coating	–	✓	✓	✓
CE-certification	–	✓	✓	✓
dimensions (length, width, height)	cm	28 x 28 x 44	40 x 40 x 60	47 x 48 x 90
water connection	–	G½ (M)	G½ (M)	G½ (M)
combined check and pressure relief valve	–	✓	✓	✓
photovoltaic input				
recommended photovoltaic power	W_p	100–300	300–600	600–1200
max. connected photovoltaic power	W_p	1500	1500	1500
max. open circuit voltage	V_{bc}	42.4	42.4	42.4
photovoltaic connector	–	MC4	MC4	MC4

Note: Only 36 cell and 60 / 120 cell photovoltaic modules to be connected to the water heater.

System modes

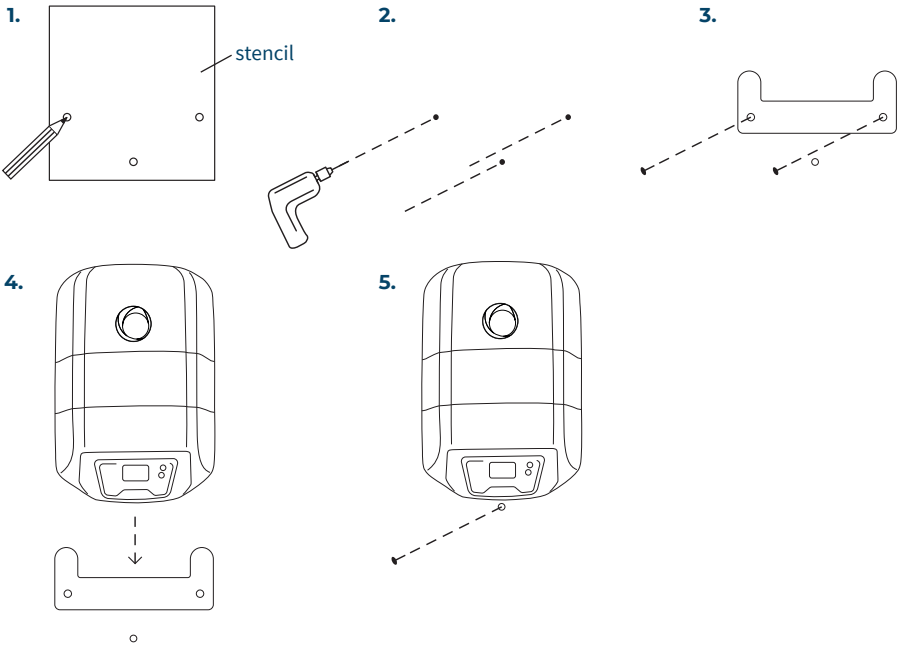
mode	picture	description	energy source
1		The boiler is primarily powered with photovoltaic current. If no solar energy is available, a fothermo power supply can optionally be used to heat the boiler to the set minimum temperature.	PV module + fothermo power supply unit*
2		As soon as the connected battery reaches a voltage of 13.5 V, the excess energy is used to power the boiler. This happens while the battery is being charged.	12 V battery <i>Approved:</i> <i>LiFePO4, lead acid</i>
3		In addition to the excess control, as in mode 2, the connected battery is discharged to operate the boiler. This happens as soon as the temperature falls below the set minimum temperature. But only as long as the battery voltage does not drop below 12.4 V.	12 V battery <i>Approved:</i> <i>LiFePO4</i>
4		This mode should be selected if there is an external energy management system (e.g. solar charge controller with deep discharge protection) that releases the power for the boiler.	External energy management
5		As soon as the connected battery reaches a voltage of 27.0 V, the excess energy is used to power the boiler. This happens while the battery is being charged.	24 V battery <i>Approved:</i> <i>LiFePO4, lead acid</i>
6		In addition to the excess control, as in mode 2, the connected battery is discharged to operate the boiler. This happens as soon as the temperature falls below the set minimum temperature. But only as long as the battery voltage does not drop below 24.8 V.	24 V battery <i>Approved:</i> <i>LiFePO4</i>

*can be purchased separately.

Assembly

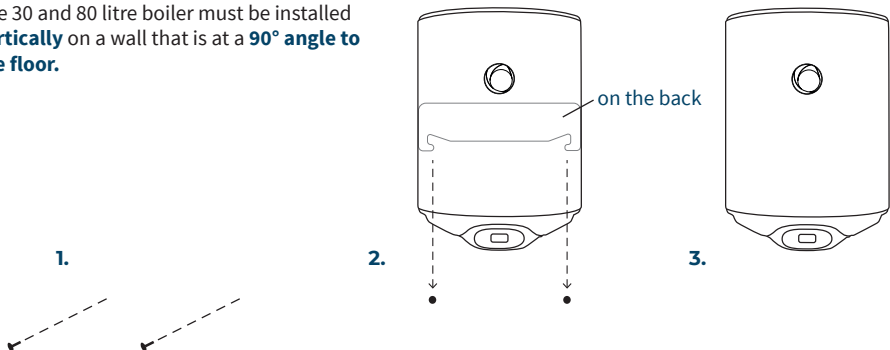
Photovoltaic water heater – PVB-10

The 10 litre boiler must be installed **vertically** on a wall that is at a **90° angle to the floor**.

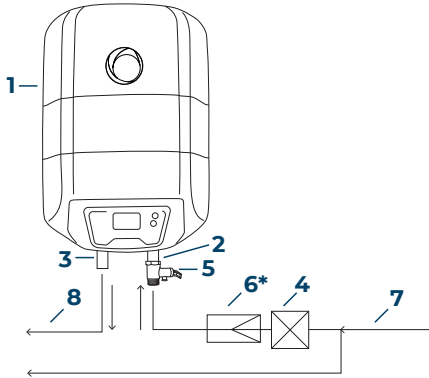


Photovoltaic water heater – PVB-30 & PVB-80

The 30 and 80 litre boiler must be installed **vertically** on a wall that is at a **90° angle to the floor**.



Connection



- 1 hot water tank
- 2 water inlet
- 3 water outlet
- 4 shut-off valve*
- 5 combined check and pressure relief valve

- 6 pressure reducing valve*
- 7 cold water
- 8 hot water
- *not included

*necessary if water pressure
> 0.5 MPa (5 bar)

Heating time of the water depending on the heating power

power	PVB-10	PVB-30	PVB-80
200 W	18°C/h	6°C/h	2°C/h
400 W	36°C/h	12°C/h	4.5°C/h
550 W	50°C/h	16°C/h	6°C/h

Note

The values given in the table are intended as a guideline. The heating times depend on many factors (power, ambient air temperature, water withdrawal) and may differ from reality. The greater the connect-

ed photovoltaic power, the more the water can be heated on days with low solar radiation. The water is heated with a maximum power of 550 W, even if more photovoltaic power is available.

Further information

General warnings

Be sure to carefully read the instructions and warnings in this manual before installing and operating the water heater. The information contained in this manual is intended to familiarize you with the water heater, the rules of its correct and safe operation, and the minimum requirements for its maintenance and servicing. Furthermore, you are obliged to make this manual available to the qualified persons who will install and potentially repair the appliance. The installation of the water heater and the verification of its functionality is not within the distributor's warranty obligation nor the manufacturer.

These instructions should always be kept near the appliance for future reference. Compliance with the rules here described is part of the measures for the safe use of the product and is considered part of the warranty conditions.

Safety instructions

WARNING! There is a risk of burns or scalding when using the appliance!

WARNING! Children must not play with the appliance. Cleaning and maintenance must not be carried out by children without supervision.

IMPORTANT! Nur fachkundige Personen dürfen den Warmwasserspeicher entsprechend den Vorgaben in diesem Handbuch und der einschlägigen örtlichen Vorschriften installieren und an die Wasserleitung anschließen. Die vom Hersteller bereitgestellten oder empfohlenen Schutzeinrichtungen sowie alle anderen Baugruppen sind UNBEDINGT einzubauen!

IMPORTANT! Be sure to fill the water heater with water before connecting it to the electrical supply! Failure to comply with the electrical connection conditions affects the safety of the appliance, whereby the water heater must not be operated.

IMPORTANT! Observe the maximum permissible pressure (see chapter: Technical data).

Further important notes

- The appliance is under pressure. During heating, expansion water may drip from the pressure relief valve.
- Operate the pressure relief valve regularly to prevent it from being stuck, e.g. due to limescale deposits.
- Install a type-tested pressure relief valve in the cold-water supply line. Note that depending on the pressure of the supply, you may also need a pressure reducing valve.
- Mount the pressure relief valve with the opening facing down.
- Mount the pressure relief valve and the drainpipe with a steady downward slope in a frost-free room.
- Dimension the drainpipe to allow the water to flow off unhindered when the pressure relief valve is fully open.
- The pressure relief valve opening must remain open to the atmosphere.
- This device contains a support battery, which is not replaceable. It is necessary for the display to function at night. A defect does not limit the basic functionality.
- This unit may be operated up to an altitude of 4000 m above sea level.

Technical data

This water heater can provide hot water from the public water supply system for several consumers. The water used for heating must comply with the requirements in the normative documents for domestic water, in particular: Chloride content up to 250 mg/l; electrical conductivity more than 100 µS/cm, pH value 6,5-8 for enamelled hot water tanks. The thermal insulation consists of CFC-free polyurethane foam.

The maximum electrical power of the water heater is 550 W. The actual power consumption of the heating element depends on the connected photovoltaic power as well as on the radiation strength provided by the sun. The water is heated to a maximum of 65°C to ensure scalding protection. Detailed information can be found in the data sheet or on the nameplate.

The water heaters are equipped with a combined check and pressure relief valve (Table 1, No. 5) to prevent overpressure during appliance operation. The water tanks are made of steel with a high-strength enamel coating and additional cathode protection provided by a magnesium anode.

Assembly

The water heater must be installed vertically, in a frost-free and dry room, close to the withdrawal point. The unit is designed for fixed wall mounting only. Make sure that the wall has sufficient load-bearing capacity. When selecting a suitable installation location for the water heater, the following must be considered:

- Wall type and material,
- dimensions of the unit,
- mounting type,
- arrangement of the fastening elements for wall mounting,
- arrangement of the pipes
- and the degree of protection against water leakage.

The installation site must comply with the requirements of the electrical installation. During installation, provide sufficient distance to adjacent walls and sufficient space under the unit for the water and photovoltaic connections.

PVB-10

The hanging strip (refer to Picture 1) is fastened securely to the wall using two dowels and the screws supplied. After mounting the wall bracket, the hot water tank is hung in position. The water heater is then fixed to the wall using the third dowel and the third screw (hexagon head screw) through the

eyelet at the bottom of the housing. A drilling hole template is enclosed with the product.

PVB-30 and PVB-80

The fixing elements (e.g. 12mm stud bolts) must be secured against being pulled out of the wall. The securing elements must be designed for THREE TIMES the weight of the water heater filled with water. Shims are to be placed under the screw heads of stud bolts. A drilling hole template is printed on the product packaging.

Connection to the water supply

When connecting the device to the water supply, please observe the indicated arrows and rings around the cold and hot water pipes (supply and return pipes). The cold-water pipe features a blue ring and is marked with an arrow pointing towards the pipe. The hot water pipe is indicated by an arrow pointing out of the pipe and a red ring.

The water heater is equipped with a combined check and pressure relief valve, which is included in the product packaging and MUST be installed on the cold-water pipe. The arrow on the body of the valve, which indicates the direction of water flow through the valve, must be followed during this installation. The pipe connectors have male G½ threads. Schematic representations regarding the connection of the water heater are shown in pictures 1 and 2.

The water heater operates by the pressure of the water pipe. The water pressure of the water supply system should be higher than 0.1 MPa (1 bar) and lower than 0.5 MPa (5 bar). If the pressure of the water pipe exceeds 0.5 MPa, a pressure reducing valve must be installed. If additional equipment, which is not included in the standard delivery, must be used to comply with local regulations, they must be installed according to these specifications.

In case the water pipes are made of copper or other metal which differs from the metal of the water tank, as well as if connecting elements made of brass are used, non-metal fittings must be installed on the supply and return side of the water heater (dielectric fittings).

WARNING! The installation of any shut-off or non-return fittings between the pressure relief valve and the water heater, as well as blocking the side opening of the pressure relief valve and/or locking its lever is prohibited!

A drainage system to remove any water that may drip from the side opening of the pressure relief valve is recommended. The drain line must be designed with a constant downward slope in a frost-free environment and must remain open. After connecting the water heater to the water supply, fill the tank with water. The sequence of steps to be performed is:

- Fully open the hot water tap of the most distant mixing tap.
- Open the shut-off valve. (Table 1, No. 4)
- Wait until the air is released from the system and a strong jet of water flows from the mixer tap. Let the water run for about 30 seconds.
- Close the hot water tap of the mixer tap.
- Lift the small lever of the pressure relief valve (Table 1, No. 5), wait 30-60 seconds until a strong stream of water flows out of the side opening of the valve.
- Loosen the valve lever.

WARNING! If no water or only a thin stream of water flows out of the valve opening, this indicates a malfunction. A possible contamination of the water pipe might be present. The fault must be eliminated before the unit is put into operation.

WARNING! The combined check and pressure relief valve is one of the protective devices that ensure the safe operation of the water heater. The use of the water heater with a damaged or removed/unassembled combined check and pressure relief valve (safety valve) is STRICTLY PROHIBITED!

The pressure relief valve can also be used to drain the water from the tank if desired. In such case, proceed as follows:

- Disconnect the water heater from any live electrical wiring.
- Disconnect the cold-water inlet.

- Open the hot water tap of the mixing tap or disconnect the hot water pipe (return pipe) of the water heater.
- Lift the small lever of the pressure relief valve (Table 1, No. 5) and wait until no more water leaves the valve.

WARNING! The running water can be hot – risk of scalding. These steps do not ensure complete drainage of the water tank.

IMPORTANT! When emptying the water tank, consider all necessary precautions to avoid damage caused by the drained water.

IMPORTANT! In Denmark, Sweden, Norway and Finland, the connection of the water heater to the public water supply may only be performed using a suitable pressure reducing valve. The local regulations must be observed.

Electrical connection

WARNING! Any electrical connection may only be performed when the water heater is filled with water.

IMPORTANT! The water heater is powered by direct current. The water heater is protected against electric shock »class III« and may only be supplied with safety extra-low voltage (SELV). Only power sources recommended by the manufacturer may be connected. A faulty and/or unsuitable power supply involves a high risk and is likely to cause an accident. The connection cables of the device must be replaced if they are damaged.

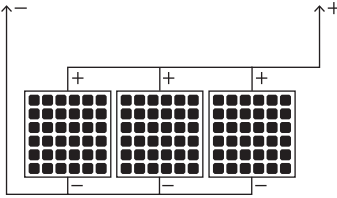
IMPORTANT! Photovoltaic modules may **ONLY** be connected in **parallel**. When connecting more than one photovoltaic module, always use a suitable connector for parallel connection. For more information, refer to the illustration »Parallel PV-Connector«. Connecting photovoltaic modules in series will damage the water heater.



Parallel PV-Connector



Pay attention to correct polarity when connecting!



Connection of PV-modules in parallel configuration only! Serial connection will damage the unit!

The electrical connection of the water heaters is performed using the factory supplied MC4 plugs. Check the functionality of the appliance after the electrical connection has been performed. When all supply connections are removed, the water heater is completely disconnected from the power sources.

Connection of PV modules

IMPORTANT! The installation and electrical parallel connection of PV modules may only be carried out by a qualified person and may not endanger third parties. When installing the photovoltaic modules, the locally prevailing rules and laws must be complied with.

IMPORTANT! Keep cables out of the way to avoid tripping over them or getting caught. There is a risk of injury. The cables must be fastened in such a way that no tensile load is applied to the connectors. Furthermore, it must be ruled out that the cables and connectors rub against surfaces and edges (e.g. in wind). The cables must not lie in water permanently.

IMPORTANT! Only photovoltaic modules with a maximum of 60 resp. 120 cells and an open-circuit voltage of 42.4 V may be connected.

- Photovoltaic modules must be connected correctly using the factory supplied MC4 plugs.

- You may connect up to five modules in parallel. Depending on the module, this corresponds to an MPP output of approximately 1500 Wp.

Dimensioning of the required photovoltaic power:

- The higher the number of hours of sunshine per day, the smaller the required PV power.
- The warmer the water taken from the pipeline, the lower the required PV power.
- Dimension the required photovoltaic power according to the months with the lowest solar radiation in which the photovoltaic water heater will be in operation.
- The greater the amount of hot water consumed per day, the larger the PV power required.

The following table serves as a guideline for dimensioning the photovoltaic power needed depending on the climatic conditions:

climatic conditions	PVB-10	PVB-30	PVB-80
countries with low sunshine e.g. Northern and Central Europe	300 W _p	600 W _p	1200 W _p
sunny countries e.g. Southern Europe and Africa	150 W _p	300 W _p	600 W _p

These values given are guidelines. Depending on the conditions prevailing on site and the specific conditions of consumption, the appropriate design of the photovoltaic output may vary from the values described.

Extension of the photovoltaic line

When extending the photovoltaic cable, the MC4 contact plugs must be properly attached to ensure functionality and safety. Basically, the PV cable should be kept as short as possible. A length recommendation depending on the connected nominal PV generator power can be found in the following table.

Connected PV power	4 mm ²	6 mm ²	10 mm ²
~325 W _p	≤ 18 m	≤ 27 m	≥ 27 m
~650 W _p	≤ 11 m	≤ 16 m	≥ 16 m
~975 W _p	≤ 9 m	≤ 13 m	≥ 13 m

Recommended cable length (there and back) for different nominal powers and cross-sections

Connection of an external power supply


IMPORTANT! Only use power supply units recommended by the manufacturer. Non-compliance will invalidate the warranty and may damage the water heater.

External power supply units feature extended use of the photovoltaic boilers. For example, long periods of bad weather can be bridged by connected AC power supply units (model number: PSU-12, PSU-18). Furthermore, you have the option of converting surplus energy from photovoltaically charged accumulators into heat by the water heater. For detailed information, please refer to the description of the respective unit.

Operation

WARNING! This device may only be operated by a person (including children over the age of 8) with reduced physical or mental capabilities if they are supervised or have been instructed in the use of the appliance by a responsible person. Children must be supervised to prevent them from playing with the appliance under any circumstances. It is forbidden for children to clean or operate the water heater.


Operation


Switch On: Press the -button for three seconds.



Display: The present water temperature is shown on the display.

- POWER IN: Input power of the PV modules

- VOLTAGE: Input voltage of the PV modules
- EXT SUPPLY: Connection of an external supply
- USED PV ENERGY: Total PV energy utilised

Menu Navigation: Press the -button briefly. By pressing the button again, you jump to the next page in the menu.

Settings: Press the -button repeatedly. This allows individual adjustments on the unit to be made. Please note: The adjustments are only active when an external energy supply is connected to the photovoltaic water heater.

- CHANGE MIN. TEMPERATURE: Select the desired minimum temperature by pressing the -button.
- CHANGE SYSTEM MODE: Select the desired mode by pressing the -button. Mode 1 (PV HOME) is set as the factory default.


Quick guide: System modes

Mode 1 (PV HOME)

For the direct connection of photovoltaic modules. Plus a fothermo power supply (can be purchased separately) if desired.

Mode 2 to 6

For the connection of external energy sources such as a battery. A fothermo battery cable is needed and can be purchased separately. More detailed information can be found in the respective product description.

Switch off: Press the -button for three seconds.

Further important notes

Leakage of water

The pressure relief valve can drip during the operation of the water heater due to the expansion of the water while heating. Ensure that the leaking water is directed to a collection container or a drain. The dripping of water does not indicate a defect. The side valve opening must not be closed under any circumstances.

The installation of a drainpipe facilitates future maintenance and servicing operations, as the water can be drained from the water heater easily.

Noise emission

Noise may be generated inside the device during the heating process, which is caused by lime deposits on the heating element. An increased formation of limescale can be observed at water temperatures above 60°C. This may cause impairment and damage to the heating elements and the water heater.

Formation of legionella

Due to the small volume of the hot water tanks, the risk of the formation of legionella in the system is almost excluded. Nevertheless, to take precautions, the following measures are recommended:

- Supply of fresh water or regular water withdrawal.
- Heating the water frequently to at least 60 °C.
- It is recommended to change the water after the appliance has not been used for more than one month.

Maintenance

Corrosion protection

Every water heater features an enamelled water tank with additional corrosion protection. This corrosion protection consists of a magnesium anode (sacrificial anode). The anode is a wearing part (i.e. it wears out during normal operation of the unit). The average life span is about 3 years, which depends particularly on the operating mode of the appliance as well as the characteristics of the water to be heated. The condition of the anode should be checked at regular intervals and, if necessary, replaced by a service specialist authorized by the manufacturer or distributor.

Compliance with the deadline and the timely renewal of the anode are important conditions for efficient corrosion protection of the water tank. The examination and the renewal of the anode are not included in the warranty obligations of the manufacturer nor the dealer. To ensure the safe operation of the water heater in regions with calcareous water, it is recommended to clean the water tank regularly

from accumulated limestone. Such cleaning should be carried out at least every two years, or more frequently in regions with calcareous water. Deposits on the enamel coating do not need to be scraped off, just wiped off with a dry cotton cloth. The regular cleaning and removal of the limescale is essential to ensure the safe operation of the appliance. Whilst cleaning the anode of the enamelled water tank should also be checked. These services are not part of the warranty scope and must be carried out by qualified persons. The regulations for the inspection of the anode protection and renewal of the anode, as well as the removal of the collected limestone, must be observed both during and after the expiration of the warranty period for the appliance.

Combined check and pressure relief valve

To guarantee the proper and safe operation of the water heater, regularly check the combined check and pressure relief valve for reduced permeability. For this purpose, lift the small lever and wait approx. 30-60 seconds until a strong stream of water flows out of the valve opening on the side. This check must be carried out after filling the tank with water, at 2-week intervals and after failure and restoration of the water supply. If no water or only a thin stream flows out of the valve opening, this indicates a malfunction. A possible contamination of the water pipe might be present. The fault must be eliminated before commissioning.

Cleaning


The outer casing and the plastic parts of the water heater should only be cleaned with a lightly moistened cotton cloth, free of aggressive and/or scouring agents. Do not clean the appliance with a steam cleaner. The water heater may only be put back into operation after the moisture has completely vanished.

Malfunction

In case of a malfunction during the operation of the water heater, disconnect all live wires from the appliance and contact the manufacturer or your distributor.

Environmental protection

This device is labelled by the Waste Electrical and Electronic Equipment (WEEE) directive. By ensuring

that the appliance is taken to a suitable disposal centre at the end of its service life, you will help to protect the environment and prevent negative effects on the environment and human health. The  - symbol on the water heater indicates that the appliance must not be disposed of with regular household waste at the end of its life. The product must be taken to a disposal centre with special facilities for electrical or electronic equipment. The end-user must comply with local disposal regulations when disposing of the product. For more information on treatment, recovery, and recycling procedures, contact your local city office, your local waste disposal centre, or the retailer from whom you purchased the product.

Warranty

The warranty of the appliance is only valid under the following conditions:

- The unit is installed in accordance with the installation and operating instructions.
- The appliance is only used for its intended purpose and in accordance with the installation and operating instructions.

The manufacturer's warranty covers the repair of all manufacturing defects that occur during the warranty period. Only professionals authorized by the seller may carry out repairs. The warranty does not cover damage resulting from:

- Improper transport,
- improper storage,
- improper use,
- unsuitable water parameters,
- improper electrical voltage which deviates from the rated voltage,
- freezing of water,
- exceptional risks, accidents, or other force majeure,
- failure by disregarding the installation and use instructions and

- in all cases when an unauthorized person attempts to repair the appliance.

In the aforementioned cases, the damage will be repaired against payment. The guarantee does not apply to parts and components of the device that are worn out during its normal operation, nor to parts that are dismantled, to lights and signal lamps, etc., to discoloration of external surfaces, to changes in the shape, dimensions, and arrangement of parts and components that have been subjected to an impact that does not correspond to the normal conditions of use of the device. Any missed benefits, material and immaterial damages resulting from temporary inability to use the unit during the period of its repair and maintenance, are not covered by the warranty of the unit.

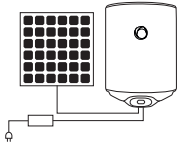
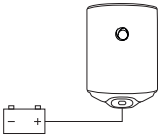
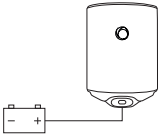
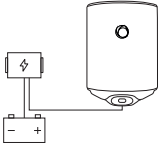
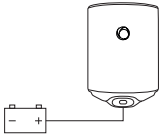
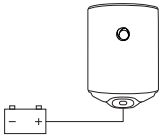
COMPLIANCE WITH THE REQUIREMENTS SPECIFIED IN THE MANUAL IS A PREREQUISITE FOR THE SAFE OPERATION OF THE PURCHASED PRODUCT AND IS INCLUDED IN THE TERMS OF THE WARRANTY. ANY MODIFICATIONS OR ALTERATIONS TO THE DESIGN OF THE PRODUCT MADE BY THE USER OR PERSONS AUTHORIZED BY THE USER ARE STRICTLY PROHIBITED. ANY SUCH ACTS OR ATTEMPTS SHALL VOID THE WARRANTY OBLIGATIONS OF THE MANUFACTURER OR DISTRIBUTOR. THE MANUFACTURER RESERVES THE RIGHT TO MAKE STRUCTURAL CHANGES WITHOUT NOTICE, PROVIDED THAT THE SAFETY OF THE PRODUCT IS NOT AFFECTED. WHEN NECESSARY, OR IN CASE OF MISUNDERSTANDINGS IN CONNECTION REGARDING THE TRANSLATION OR TERMS USED IN THIS LANGUAGE VERSION OF THE INSTALLATION AND OPERATING INSTRUCTIONS, PLEASE USE THE GERMAN VERSION AS THE ORIGINAL AND PRIMARY VERSION.

Spezifikationen

Spezifikationen	Einheit	Wert		
Photovoltaischer Boiler				
Produktmodell	–	PVB-10	PVB-30	PVB-80
Volumen	l	9,5	29	77
Max. Heizleistung	W	550	550	550
Max. Stromaufnahme	A	15,5	15,5	15,5
Energieeffizienzklasse	–	A+	A+	A+
Nenndruck	MPa	0,7	0,7	0,7
IP-Schutzklasse	–	X1	24	24
Gewicht (± 3 %)	kg	7,2	15	25
Max. Wassertemperatur	°C	65	65	65
Einstellbarer Temperaturbereich für das optionale Nachheizen	°C	10–65	10–65	10–65
Integrierter MPP Tracker	–	✓	✓	✓
Integrierter Verpolungsschutz	–	✓	✓	✓
Digitales Display	–	✓	✓	✓
Vorbereitet für externe Nachheizung und Akkuanschluss	–	✓	✓	✓
Boiler aus Stahl mit Emaillebeschichtung	–	✓	✓	✓
CE zertifiziert	–	✓	✓	✓
Maße (Länge, Breite, Höhe)	cm	28 x 28 x 44	40 x 40 x 60	47 x 48 x 90
Wasseranschluss	–	G½ (M)	G½ (M)	G½ (M)
Kombiniertes Rückschlag- und Überdruckventil	–	✓	✓	✓
Photovoltaikanschluss				
Empfohlene Photovoltaikleistung	W _p	100–300	300–600	600–1200
Max. anschließbare Photovoltaikleistung	W _p	1500	1500	1500
Max. Leerlaufspannung	V _{DC}	42,4	42,4	42,4
Photovoltaischer Anschlussstecker	–	MC4	MC4	MC4

Hinweis: An den Warmwasserbereiter dürfen nur 36-zellige und 60/120-zellige Photovoltaikmodule angeschlossen werden.

System-Modi

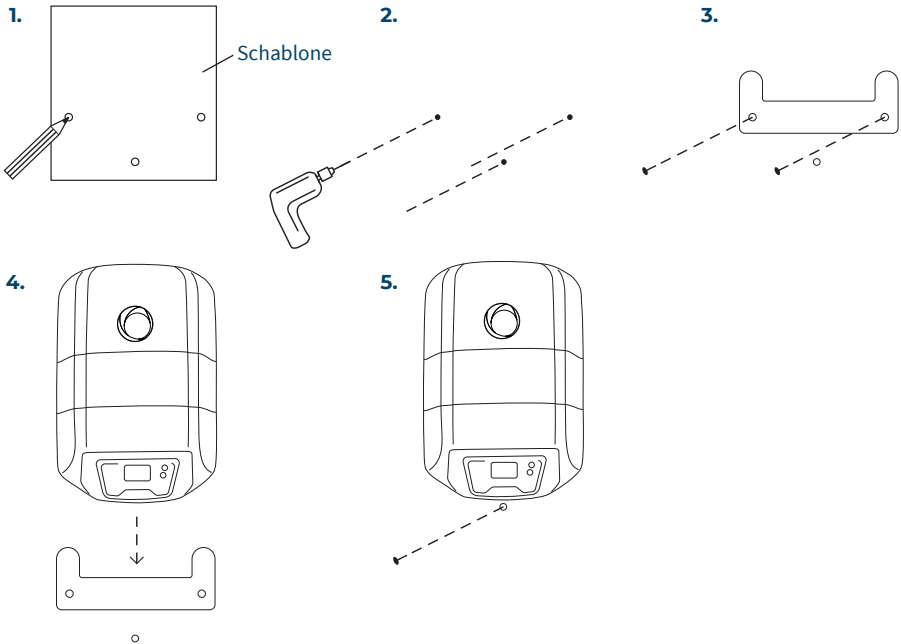
Modus	Abbildung	Beschreibung	Energiequelle
1		Der Boiler wird primär mit PV-Strom betrieben. Wenn keine Sonnenenergie zur Verfügung steht, kann optional ein fothermo Netzteil genutzt werden, um den Boiler auf die eingestellte Mindesttemperatur zu erwärmen.	PV-Module + fothermo Netzteil*
2		Sobald der angeschlossene Akku eine Spannung von 13,5 V erreicht, wird die überschüssige Energie genutzt, um den Boiler zu betreiben. Dies geschieht während der Akku geladen wird.	12 V Akku <i>Zugelassen:</i> <i>LiFePO4, Bleiakku</i>
3		Zusätzlich zur Überschusssteuerung, wie im Modus 2, wird der angeschlossene Akku entladen, um den Boiler zu betreiben. Die geschieht sobald die eingestellte Mindesttemperatur unterschritten wird. Jedoch nur, solange die Batteriespannung 12,4 V nicht unterschreitet.	12 V Akku <i>Zugelassen:</i> <i>LiFePO4</i>
4		Dieser Modus sollte gewählt werden, wenn ein externes Energiemanagement (z.B. Solarladeregler mit Tiefentladeschutz) existiert, welches den Strom für den Boiler freigibt.	Externes Energie- Management
5		Sobald der angeschlossene Akku eine Spannung von 27,0 V erreicht, wird die überschüssige Energie genutzt, um den Boiler zu betreiben. Dies geschieht während der Akku geladen wird.	24 V Akku <i>Zugelassen:</i> <i>LiFePO4, Bleiakku</i>
6		Zusätzlich zur Überschusssteuerung, wie im Modus 2, wird der angeschlossene Akku entladen, um den Boiler zu betreiben. Die geschieht sobald die eingestellte Mindesttemperatur unterschritten wird. Jedoch nur, solange die Batteriespannung 24,8 V nicht unterschreitet.	24 V Akku <i>Zugelassen:</i> <i>LiFePO4</i>

*kann separat erworben werden.

Montage

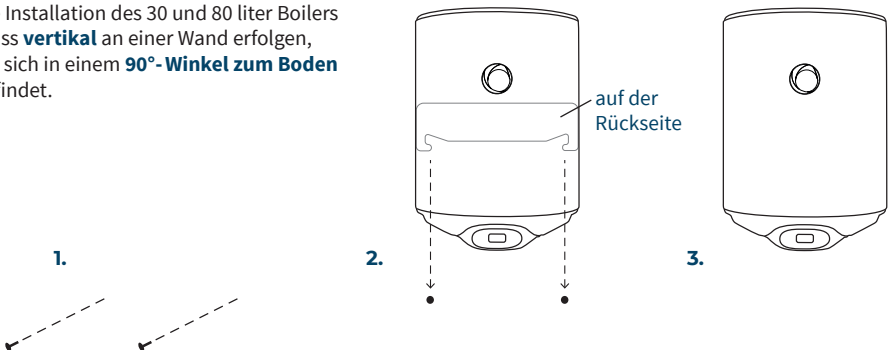
Photovoltaischer Boiler – PVB-10

Die Installation des 10 liter Boilers muss **vertikal** an einer Wand erfolgen, die sich in einem **90°-Winkel zum Boden** befindet.

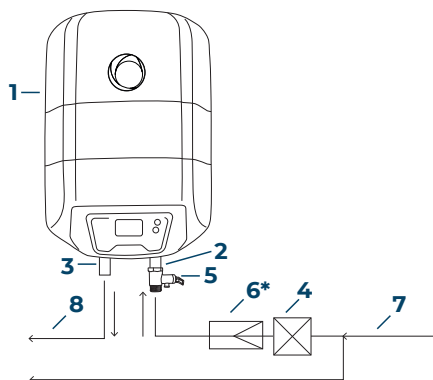


Photovoltaischer Boiler – PVB-30 & PVB-80

Die Installation des 30 und 80 liter Boilers muss **vertikal** an einer Wand erfolgen, die sich in einem **90°-Winkel zum Boden** befindet.



Anschluss



- 1 Warmwasserspeicher
- 2 Wasserzulauf
- 3 Wasserabfluss
- 4 Sperrhahn*
- 5 Kombiniertes Rückschlag und Überdruckventil

- 6 Druckminderventil*
- 7 Kaltwasser
- 8 Warmwasser

*nicht im Lieferumfang enthalten

*nötig falls Wasserdruck
> 0,5 MPa (5 bar)

Aufheizzeit des Wassers in Abhängigkeit der Heizleistung

Leistung	PVB-10	PVB-30	PVB-80
200 W	18 °C/h	6 °C/h	2 °C/h
400 W	36 °C/h	12 °C/h	4.5 °C/h
550 W	50 °C/h	16 °C/h	6 °C/h

Hinweis

Die in der Tabelle angegebenen Werte sind als Richtwerte zu verstehen. Die Aufheizzeiten sind von vielen Faktoren abhängig (Leistung, Umgebungslufttemperatur, Wasserentnahme) und können von der Realität abweichen. Je größer die angeschlossene Photo-

voltaikleistung ist, desto stärker kann das Wasser an Tagen mit geringer Sonneneinstrahlung erwärmt werden. Das Wasser wird mit einer maximalen Leistung von 550 W erwärmt, auch wenn mehr photovoltaische Leistung zur Verfügung steht.

Weiterführende Informationen

Allgemeine Warnhinweise

Lesen Sie unbedingt die Anweisungen und Warnungen in diesem Handbuch vor Montage und Inbetriebnahme des Warmwasserspeichers sorgfältig durch. Die hier angegebenen Informationen dienen dazu, Sie mit dem Warmwasserspeicher, mit den Regeln für seinen ordnungsgemäßen und sicheren Gebrauch, mit den Mindestanforderungen für seine Wartung und Instandhaltung vertraut zu machen. Überdies sind Sie verpflichtet, dieses Handbuch den fachkundigen Personen, die das Gerät installieren und eventuell reparieren werden, zur Verfügung zu stellen. Die Installation des Warmwasserspeichers und die Prüfung seiner Funktionstüchtigkeit liegen nicht in der Gewährleistungspflicht des Händlers und/oder des Herstellers.

Diese Anleitung sollte grundsätzlich in der Nähe des Geräts für späteres Nachschlagen aufbewahrt werden. Die Beachtung der hier beschriebenen Regeln gehört zu den Maßnahmen für den sicheren Gebrauch des Produkts und gilt als Teil der Gewährleistungsbedingungen.

Sicherheitshinweise

WARNUNG! Bei der Verwendung des Gerätes besteht Verbrennungs- oder Verbrühungsgefahr!

WARNUNG! Dieses Gerät kann von Kindern ab 8 Jahren und darüber sowie von Personen mit verringerten physischen, sensorischen oder mentalen Fähigkeiten oder Mangel an Erfahrung und Wissen benutzt werden, wenn sie beaufsichtigt oder bezüglich des sicheren Gebrauchs des Gerätes unterwiesen wurden und die daraus resultierenden Gefahren verstehen. Kinder dürfen nicht mit dem Gerät spielen. Reinigung und Benutzer-Wartung dürfen nicht von Kindern ohne Beaufsichtigung durchgeführt werden.

WICHTIG! Nur fachkundige Personen dürfen den Warmwasserspeicher entsprechend den Vorgaben in diesem Handbuch und der einschlägigen örtlichen Vorschriften installieren und an die Wasserleitung anschließen. Die vom Hersteller bereitgestellten oder empfohlenen Schutzeinrichtungen sowie alle anderen Baugruppen sind UNBEDINGT einzubauen!

WICHTIG! Vor Anschluss an die elektrische Energieversorgung ist der Warmwasserspeicher unbedingt mit Wasser zu befüllen! Die Nichteinhaltung der Anforderungen für den elektrischen Anschluss beeinträchtigt die Gerätesicherheit, sodass der Warmwasserspeicher nicht verwendet werden darf.

WICHTIG! Beachten Sie den maximal zulässigen Druck (siehe Kapitel: Technische Daten)

Weitere wichtige Hinweise

- Das Gerät steht unter Druck. Während der Aufheizung tropft das Ausdehnungswasser aus dem Überdruckventil.
- Betätigen Sie regelmäßig das Überdruckventil, um einem Festsitzen z. B. durch Kalkablagerungen vorzubeugen.
- Installieren Sie ein kombiniertes baumustergeprüftes Rückschlag- und Überdruckventil in der Kaltwasser-Zulaufleitung. Beachten Sie dabei, dass Sie in Abhängigkeit von dem Versorgungsdruck evtl. zusätzlich ein Druckminderventil benötigen.
- Montieren Sie die das Überdruckventil mit der Öffnung nach unten.
- Montieren Sie das Überdruckventil und die Abflussleitung mit einer stetigen Abwärtsneigung in einem frostfreien Raum.
- Dimensionieren Sie die Abflussleitung so, dass bei voll geöffnetem Überdruckventil das Wasser ungehindert ablaufen kann.
- Die Öffnung des Überdruckventils muss zur Atmosphäre geöffnet bleiben.
- Dieses Gerät enthält einen Stütz-Akku, welcher nicht austauschbar ist. Dieser ist für die Funktion des Displays bei Nacht nötig. Ein Defekt schränkt die grundlegende Funktionalität nicht ein.
- Das Gerät darf bis in einer Höhe von 4000 m über NN betrieben werden.

Technische Daten

Dieser Warmwasserspeicher kann warmes Wasser von dem allgemeinen Wasserleitungsnetz für mehrere Verbraucher gleichzeitig bereitstellen. Das zur Erwärmung verwendete Wasser muss der Anforderungen in den normativen Dokumenten für Brauchwasser entsprechen, insbesondere: Chloridgehalt bis 250 mg/l; elektrische Leitfähigkeit mehr als 100 µS/cm, pH-Wert 6,5 - 8 für Warmwasserspeicher mit emailliertem Wasserbehälter. Die Wärmeisolierung besteht aus FCKW – freiem Polyurethanschaum.

Die maximale elektrische Leistung der Warmwasserspeicher beträgt 550 W. Die tatsächliche Leistung der Heizelemente ist sowohl von der angeschlossenen Photovoltaikleistung als auch der Einstrahlungsstärke der Sonne abhängig. Das Wasser wird auf maximal 65 °C erwärmt, um einen Verbrühungsschutz zu gewährleisten. Detaillierte Informationen können Sie dem Datenblatt bzw. dem Typenschild entnehmen.

Die Warmwasserspeicher sind mit einem kombinierten Rückschlag- und Überdruckventil ausgestattet, das einen Überdruck des Wassers während des Gerätebetriebs verhindert. Die Wasserbehälter werden aus Stahl mit hochfester Emaillbeschichtung und mit zusätzlichem Kathodenschutz durch eine Magnesiumanode hergestellt.

Montage

Montieren Sie den Warmwasserspeicher immer senkrecht, in einem frostfreien und trockenen Raum, in der Nähe der Entnahmestelle.

Das Gerät ist ausschließlich zur festen Wandmontage vorgesehen. Achten Sie darauf, dass die Wand ausreichend tragfähig ist. Bei der Wahl eines geeigneten Aufstellungsortes für den Warmwasserspeicher ist folgendes zu berücksichtigen:

- Art und Material der Wand,
- Abmessungen des Geräts,
- Befestigungsart,
- Anordnung der Befestigungselemente für die Wandbefestigung,

- Anordnung der Rohre und der
- Schutzgrad gegen Wasserspritzer.

Der Aufstellungsort muss mit den Anforderungen der elektrischen Installation übereinstimmen. Bei der Montage ist ausreichend Abstand zu benachbarten Wänden und genügend Abstand unter dem Gerät für Wasser- und Photovoltaikanschlüsse vorzusehen.

PVB-10

Die Aufhängeleiste (siehe Abbildung 1) wird mit Hilfe von zwei mitgelieferten Dübeln und Schrauben an die Wand sicher befestigt. Nach Montage des Wandbefestigungshalters wird der Warmwasserspeicher eingehängt. Nach Einhängen wird der Warmwasserspeicher mit Hilfe des dritten Dübels und der dritten Schraube (Sechskantschraube) durch die Öse am unteren Ende des Gehäuses an der Wand befestigt. Eine Bohrlochschaablone liegt dem Produkt bei.

PVB-30 and PVB-80

Die Befestigungselemente (z.B. 12mm Schlüssel-schrauben) sind hinreichend in der Wand zu verankern. Diese müssen für das DREIFACHE Gewicht des mit Wasser gefüllten Warmwasserspeichers ausgelegt sein. Unter die Schraubenköpfe der Schlüssel-schrauben sind Unterlegscheiben anzubringen. Eine Bohrlochschaablone ist auf der Produktverpackung aufgedruckt.

Anschluss an die Wasserleitung

Bei dem Anschluss des Gerätes an die Wasserleitung bitte die Pfeile und die Hinweisringe um die Kalt- und Warmwasserrohre (Zu- und Rücklaufleitung) beachten. Das Kaltwasserrohr hat einen blauen Ring und ist mit einem Pfeil zum Rohr gekennzeichnet. Ein Pfeil vom Rohr weg und ein roter Ring kennzeichnet das Warmwasserrohr. Der Warmwasserspeicher ist mit einem kombinierten Rückschlag- und Überdruckventil ausgestattet. Dieses befindet sich in der Produktverpackung und MUSS an der Kaltwasserleitung montiert werden. Während dieser Installation muss der Pfeil auf dem Rumpf des Ventils, der die Richtung des Wasserflusses durch das Ventil anzeigt, befolgt werden.

Die Rohranschlüsse haben G½ Außengewinde. Schematische Darstellungen bezüglich des Anschlusses des Warmwasserspeichers sind in den Abbildungen 1 und 2 gezeigt.

Der Warmwasserspeicher funktioniert mit dem Druck der Wasserleitung. Der Wasserdruck in der Wasserleitungsanlage soll höher als 0,1 MPa (1 bar) und niedriger als 0,5 MPa (5 bar) sein. Ist der Druck der Wasserleitung höher als 0,5 MPa, so muss ein Druckminderventil installiert werden.

Falls weiteres Zubehör, welches nicht im Lieferumfang enthalten ist, gemäß den örtlichen Vorschriften eingesetzt werden muss, ist dieses entsprechend den Vorgaben zu installieren. Für den Fall, dass die Wasserleitungsrohre aus Kupfer oder aus sonstigem Metall hergestellt sind, welches unterschiedlich von dem Metall des Wasserbehälters ist, wie auch, wenn Verbindungselemente aus Messing eingesetzt werden, sind Nichtmetallarmaturen an der Zulauf- und Rücklaufseite des Warmwasserspeichers zu montieren (dielektrische Armaturen).

WARNUNG! Die Montage jeglicher Absperr- oder Rückschlagarmaturen zwischen dem kombinierten Ventil und dem Warmwasserspeicher sowie das Versperren der seitlichen Öffnung des kombinierten Ventils und / oder Arretieren seines Hebels ist verboten!

Ein Abflusssystem zur Ableitung des ggf. von der seitlichen Öffnung des kombinierten Ventils tropfenden Wassers wird empfohlen. Die Ablassleitung muss mit konstantem Gefälle und in einer frostfreien Umgebung ausgeführt werden. Sie muss stets offenbleiben.

Nach erfolgreichem Anschluss des Warmwasserspeichers an die Wasserleitung ist der Wasserbehälter mit Wasser zu befüllen. Die Reihenfolge der auszuführenden Schritte ist:

- Warmwasserhahn der entferntesten Mischbatterie ganz öffnen.
- Sperrhahn öffnen. (Tabelle 1, Nr. 4)
- Abwarten, bis die Luft aus der Anlage austritt und aus der Mischbatterie ein starker Wasserstrahl herausfließt. Wasser etwa 30 Sekunden laufen lassen.
- Warmwasserhahn der Mischbatterie schließen.
- Den kleinen Hebel des Überdruckventils (Tabelle 1, Nr. 5) heben, 30 - 60 Sekunden abwarten, bis aus der seitlichen Öffnung des Ventils ein

starker Wasserstrahl fließt.

- Ventillheben lösen.

WARNUNG! Fließt kein Wasser aus der Ventilöffnung oder fließt nur ein dünner Strahl, dann deutet dies auf eine Fehlfunktion hin. Möglicherweise liegt eine Verunreinigung der Wasserleitung vor. Vor Inbetriebnahme ist der Fehler zu beheben.

WARNUNG! Das kombinierte Rückschlag- und Überdruckventil gehört zu den Schutzeinrichtungen, die die Sicherheit des Warmwasserspeichers gewährleisten. Es ist streng VERBOTEN, den Warmwasserspeicher mit beschädigtem oder ausgebautem/nicht montiertem kombinierten Rückschlag- und Überdruckventil (Sicherheitsventil) zu verwenden!

Bei Bedarf kann das Überdruckventil auch zum Ablassen des Wassers aus dem Wasserbehälter dienen. Gehen Sie in diesem Fall wie folgt vor:

- Trennen Sie den Warmwasserspeicher von jeglichen Spannungsführenden elektrischen Leitungen.
- Unterbrechen Sie den Zugang zum Kaltwasser.
- Öffnen Sie den Warmwasserhahn der Mischbatterie oder trennen Sie das Warmwasserrohr (Rücklaufleitung) des Warmwasserspeichers.
- Heben Sie den kleinen Hebel des kombinierten Ventils (Tabelle 1, Nr. 5) und warten Sie ab, bis kein Wasser mehr aus dem Ventil austritt.
- Warnung! Das fließende Wasser kann heiß sein – Verbrühungsgefahr. Diese Schritte sichern kein vollständiges Entleeren des Wasserbehälters.

WARNUNG! Bei dem Ablassen des Wassers aus dem Wasserbehälter unbedingt alle erforderlichen Maßnahmen zur Vorbeugung von Schäden durch das abgelassene Wasser treffen.

WICHTIG! In Dänemark, Schweden, Norwegen und Finnland darf der Anschluss des Warmwasserspeichers an das öffentliche Wassernetz nur unter Verwendung eines geeigneten Druckminderventils verwendet werden. Die örtlichen Vorschriften sind einzuhalten.

Elektrischer Anschluss

WARNUNG! Jeglicher elektrische Anschluss darf nur ausgeführt werden, wenn der Warmwasserspeicher mit Wasser gefüllt ist.

WICHTIG! Der Betrieb des Warmwasserspeichers erfolgt mit Gleichstrom. Der Warmwasserspeicher hat eine Schutzart gegen Stromschlag »Klasse III« und darf nur in der Schutzkleinspannung (SELV) versorgt werden. Es dürfen nur vom Hersteller empfohlene Spannungsquellen angeschlossen werden. Eine fehlerhafte und/oder nicht geeignete Stromanlage stellt eine hohe Gefahr dar und kann einen Unfall verursachen. Wenn die Anschlusskabel des Gerätes beschädigt sind, müssen diese ersetzt werden.

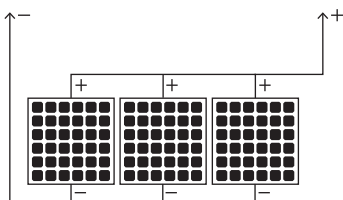
WICHTIG! Photovoltaikmodule dürfen **NUR PARALLEL** verschalten werden. Verwenden Sie beim Anschluss von mehr als einem Photovoltaikmodul immer eine passende Steckverbindung für Parallelschaltung. Siehe Abbildung »PV Parallelsteckverbinder«. Eine Serienschaltung der Photovoltaikmodule führt zu einem Defekt des Gerätes.



PV-Parallelsteckverbinder



Auf korrekte Polarität beim Anschließen achten!



*Nur ein paralleler PV-Modulanschluss ist erlaubt!
Ein serieller Anschluss führt zur Beschädigung des Geräts!*

Der elektrische Anschluss der Warmwasserspeicher erfolgt an den werkseitig montierten MC4-Versorgungssteckern. Nach Ausführung des elektrischen Anschlusses die Funktionsfähigkeit des Gerätes unbedingt prüfen. Der Warmwasserspeicher ist von der Stromversorgungsanlage vollständig getrennt, wenn alle Versorgungsstecker getrennt sind.

Anschluss von Photovoltaikmodulen

WICHTIG! Die Montage und die elektrische Parallelschaltung von PV-Modulen darf nur von einer fachkundigen Person durchgeführt werden und muss eine Gefährdung Dritter ausschließen. Bei der Montage der Photovoltaikmodule sind die vor Ort geltenden Regeln und Gesetze einzuhalten.

WICHTIG! Verlegen Sie Kabel immer so, dass niemand über diese stolpern oder an ihnen hängen bleiben kann. Es besteht Verletzungsgefahr. Die Kabel müssen so befestigt sein, dass keine Zugbelastung auf die Steckverbinder einwirkt. Weiterhin muss ausgeschlossen werden, dass die Kabel und Steckverbinder über Flächen und Kanten scheuern (z. B. bei Wind) oder permanent im Wasser liegen.

WICHTIG! Es dürfen maximal 60- bzw. 120-zellige Photovoltaikmodule mit einer Leerlaufspannung von 42,4 V angeschlossen werden.

- Photovoltaikmodule müssen mit Hilfe der werkseitig angeschlossenen MC4 Stecker ordnungsgemäß verbunden werden.
- Es dürfen bis zu fünf Module parallel geschaltet werden. Je nach Modul entspricht dies einer MPP-Leistung von etwa 1500 Wp.

Auslegung der benötigten Photovoltaikleistung:

- Je höher die Anzahl der Sonnenstunden pro Tag, desto kleiner die benötigte PV-Leistung.
- Je wärmer das zugeführte Wasser aus der Leitung ist, desto kleiner die benötigte PV-Leistung.
- Auslegung der Photovoltaikleistung auf die einstrahlungsschwächsten Monate während der Nutzung des photovoltaischen Boilers.
- Je höher die benötigte Warmwassermenge pro Tag, desto größer die benötigte PV-Leistung.

Die nachfolgende Tabelle dient als Richtwert zur Auslegung der Photovoltaikleistung in Abhängigkeit der klimatischen Verhältnisse:

Klimatische Verhältnisse	PVB-10	PVB-30	PVB-80
Sonnenarme Länder, z. B. Nord- und Mitteleuropa	300 W _p	600 W _p	1200 W _p
Sonnenreiche Länder, z. B. Südeuropa und Afrika	150 W _p	300 W _p	600 W _p

Die dargestellten Werte stellen Richtwerte dar. In Abhängigkeit der vor Ort herrschenden Bedingungen und der jeweiligen Nutzungsverhältnisse kann die sinnvolle Auslegung der Photovoltaikleistung von den beschriebenen Werten abweichen.

Verlängerung der Photovoltaikkabel

Bei einer Verlängerung der Photovoltaikkabel sind die MC4-Kontaktstecker ordnungsgemäß zu befestigen, um die Funktion und Sicherheit zu gewährleisten. Grundsätzlich ist das PV-Kabel so kurz wie möglich halten. Eine Längempfehlung in Abhängigkeit der angeschlossenen PV-Generatorkennleistung können Sie der nachfolgenden Tabelle entnehmen.

Angeschlossene PV-Leistung	4 mm ²	6 mm ²	10 mm ²
~325 W _p	≤ 18 m	≤ 27 m	≥ 27 m
~650 W _p	≤ 11 m	≤ 16 m	≥ 16 m
~975 W _p	≤ 9 m	≤ 13 m	≥ 13 m

Empfohlene Kabellänge (hin und zurück) bei unterschiedlichen Nennleistungen und Querschnitten

Anschluss einer externen Energieversorgung

WICHTIG! Verwenden Sie nur Energieversorgungs-

geräte, welche vom Hersteller empfohlen werden. Eine Nichteinhaltung führt zu Gewährleistungsverlust und kann zu einem Defekt des Gerätes führen.

Externe Energieversorgungsgeräte dienen zur erweiterten Nutzung der photovoltaischen Boiler. Beispielsweise können lange Schlechtwetterphasen durch angeschlossene AC-Netzgeräte überbrückt werden (Modellnummer: PSU-12, PSU-18). Des Weiteren besteht die Möglichkeit überschüssige Energie aus photovoltaisch geladenen Akkumulatoren in Wärme im Boiler umwandeln. Detaillierte Informationen entnehmen Sie bitte der Bedienungsanleitung des jeweiligen Gerätes.

Betrieb


WARNUNG! Dieses Gerät darf von Personen (einschließlich Kindern ab 8 Jahre) mit eingeschränkten körperlichen oder geistigen Fähigkeiten nur verwendet werden, wenn diese Personen unter der Aufsicht einer verantwortlichen Person stehen oder von dieser Person in den Gebrauch des Gerätes eingewiesen wurden. Kinder müssen beaufsichtigt werden, damit sie in keinem Fall mit dem Gerät spielen. Es ist verboten, dass Kinder das Gerät reinigen oder bedienen.


Bedienung

Einschalten: Den -Button für etwa drei Sekunden gedrückt halten.



Display: Die aktuelle Wassertemperatur wird im Display angezeigt.

- POWER IN: Eingangsleistung der PV-Module
- VOLTAGE: Eingangsspannung der PV-Module
- EXT SUPPLY: Anschluss ext. Energieversorgung
- USED PV ENERGY: Summe der genutzten PV-Energie

Menünavigation: Den -Button kurz drücken. Durch erneutes Betätigen des Buttons springen Sie im Menü zur nächsten Seite.

Einstellungen: Den -Button wiederholt betätigen. Dadurch lassen sich individuelle Anpassungen am Gerät vornehmen. Bitte beachten Sie: Die Anpas-

sungen werden nur dann aktiv, wenn eine externe Energieversorgung an den photovoltaischen Boiler angeschlossen ist.

- CHANGE MIN. TEMPERATURE: Wählen Sie durch Betätigen des -Buttons die gewünschte Mindesttemperatur aus.
- CHANGE SYSTEM MODE: Wählen Sie durch Betätigen des -Buttons den gewünschten Modus aus. Werksseitig ist der Modus 1 (PV HOME) voreingestellt.

Kurzanleitung SYSTEM-MODI

Modus 1 (PV HOME)

Für den direkten Anschluss von Photovoltaikmodulen. Bei Bedarf zusätzlich ein fothermo Netzteil (kann separat erworben werden).

Modus 2 bis 6

Für den Anschluss von externen Energiequellen wie z.B. einer Batterie. Dazu wird ein fothermo-Batteriekabel benötigt, welches separat erworben werden kann. Nähere Informationen finden Sie in der jeweiligen Produktbeschreibung.

Ausschalten: Den -Button für etwa drei Sekunde gedrückt halten.

Weitere wichtige Hinweise

Austritt von Wasser

Das Rückschlag- und Überdruckventil, kann bei Normalbetrieb des Warmwasserspeichers durch die Ausdehnung von Wasser während der Erwärmung tropfen. Achten Sie darauf, dass austretendes Wasser einem geeigneten Sammelbehälter oder Abfluss zugeführt wird. Das Tropfen von Wasser ist kein Defekt. Die seitliche Ventilöffnung darf auf keine Art und Weise verschlossen werden. Das Verlegen eines Abflussrohres erleichtert künftige Wartungs- und Instandhaltungsmaßnahmen, da das Wasser aus dem Warmwasserspeicher einfach abgelassen werden kann.

Geräusentwicklung

Möglicherweise kann es während der Erwärmung von Wasser zu Geräusentwicklungen im Inneren des Gerätes kommen. Dies ist auf kalkhaltige Ablagerung auf dem Heizelement zurückzuführen. Eine ver-

stärkte Kalkausbildung ist ab Wassertemperaturen von über 60°C festzustellen. Dies kann zu Beeinträchtigungen und zur Beschädigung der Heizelemente und des Warmwasserspeichers führen.

Legionellenbildung

Aufgrund des geringen Volumens der Warmwasserspeicher kann die Gefahr von Legionellenbildung im System nahezu ausgeschlossen werden. Um dennoch Vorsichtsmaßnahmen zu treffen, werden folgende Maßnahmen empfohlen:

- Zufuhr von Frischwasser bzw. regelmäßige Wasserentnahme.
- Erhitzung des Wassers in regelmäßigen Abständen auf mindestens 60 °C.
- Nach Nichtbenutzung des Gerätes von mehr als einem Monat wird ein Wassertausch empfohlen.

Wartung und Instandhaltung

Korrosionsschutz

In jedem Warmwasserspeicher mit emailliertem Wasserbehälter ist ein zusätzlicher Korrosionsschutz eingebaut. Dieser Korrosionsschutz besteht aus einer Magnesiumanode (Opferanode). Die Anode ist ein Verbrauchsartikel (d.h. Abnutzung während des normalen Gerätebetriebs). Die durchschnittliche Lebensdauer beträgt 3 Jahre. Diese Lebensdauer hängt insbesondere von der Betriebsart des Geräts und von den Eigenschaften des zu erwärmenden Wassers ab. In regelmäßigen Abständen sollte ein Fachmann des von dem Hersteller oder dem Verkäufer autorisierten Kundendienstes den Zustand der Anode prüfen und ggf. erneuern.

Die Einhaltung der Frist und die rechtzeitige Erneuerung der Anode sind wichtige Bedingungen für den effizienten Korrosionsschutz des Wasserbehälters. Die Prüfung und die Erneuerung der Anode gehören nicht zu den Gewährleistungspflichten des Herstellers und des Händlers. Für den sicheren Betrieb des Warmwasserspeichers in Regionen mit kalkhaltigem Wasser wird das regelmäßige Reinigen des Wasserbehälters vom angesammelten Kalkstein empfohlen. Diese Reinigung sollte mindestens einmal alle zwei Jahre durchgeführt werden. In Regionen mit kalkhaltigem Wasser öfters. Die Ablagerungen auf der Emaillebeschichtung müssen nicht abgekratzt, sondern nur mit einem trockenen Baumwolltuch

abgewischt werden. Die regelmäßige Reinigung und Beseitigung des Kalksteins ist für den sicheren Betrieb des Geräts besonders wichtig. Es ist empfehlenswert, zur selben Zeit auch die Anode des emaillierten Wasserbehälters zu kontrollieren. Diese Leistungen gehören nicht zum Gewährleistungsumfang und sind durch fachkundige Personen auszuführen. Die Vorschriften zur Kontrolle des Anodenschutzes und zur Erneuerung der Anode, und die Beseitigung des gesammelten Kalksteins sind sowohl während als auch nach Ablauf der Gewährleistungsfrist des Geräts einzuhalten

Überdruckventil

Zur Gewährleistung eines einwandfreien und sicheren Betriebs des Warmwasserspeichers ist das kombinierte Ventil regelmäßig auf ggf. reduzierte Durchlässigkeit zu prüfen. Dazu den kleinen Hebel heben und ca. 30-60 Sekunden abwarten, bis ein starker Wasserstrahl aus der seitlichen Ventilöffnung austritt. Diese Prüfung ist unbedingt nach dem Füllen des Wasserbehälters mit Wasser, in 2-wöchigen Abständen und nach Ausfall und Wiederherstellung der Wasserversorgung durchzuführen. Fließt kein Wasser aus der Ventilöffnung oder fließt nur ein dünner Strahl, dann deutet dies auf eine Fehlfunktion hin. Möglicherweise liegt eine Verunreinigung der Wasserleitung vor. Vor Inbetriebnahme ist der Fehler zu beheben.

Reinigung

Die Außenhülle und die Kunststoffteile des Warmwasserspeichers sind nur mit leicht feuchtem Baumwolltuch, ohne aggressive und/oder Scheuermittel zu reinigen. Es ist verboten, das Gerät mit einem Dampfgerät zu reinigen. Der Warmwasserspeicher kann erst nach vollständiger Entfernung der Feuchtigkeit wieder in Betrieb genommen werden.

Störungen

Kommt es während der Nutzung des Warmwasserspeichers zu einer Störung, dann trennen Sie bitte alle spannungsführenden Leitungen vom Gerät und kontaktieren Sie den Hersteller oder Ihren Händler.

Umweltschutz

Dieses Gerät ist entsprechend der Richtlinie für die Elektro- und Elektronik-Altgeräte (WEEE) gekennzeichnet. Indem Sie dafür sorgen, dass das Gerät

am Ende seiner Lebensdauer bei einem geeigneten Entsorgungszentrum abgegeben wird, tragen Sie zum Umweltschutz und zur Vermeidung von negativen Einwirkungen auf die Umwelt und auf die menschliche Gesundheit bei. Das -Symbol auf dem Warmwasserspeicher weist darauf hin, dass das Gerät am Ende seiner Lebensdauer nicht im normalen Hausmüll entsorgt werden darf. Es muss bei einem Entsorgungszentrum mit speziellen Einrichtungen für elektrische oder elektronische Geräte abgegeben werden. Der Endverbraucher muss bei der Entsorgung die örtlichen Entsorgungsvorschriften beachten. Weitere Informationen über die Behandlung, Verwertung und über das Recyclingverfahren erhalten Sie bei Ihrer Stadtverwaltung, bei Ihrem zuständigen Entsorgungszentrum oder bei dem Fachhändler, bei dem Sie das Produkt gekauft haben.

Gewährleistung

Die Gewährleistung für das Geräts gilt nur unter folgenden Bedingungen:

- Das Gerät ist entsprechend den Montage- und Gebrauchsanleitungen installiert.
- Das Gerät wird nur zweckgemäß und nach Maßgabe der Montage- und Gebrauchsanleitungen verwendet.

Die Gewährleistung umfasst die Behebung sämtlicher Fabrikationsfehler, die während der Gewährleistungszeit auftreten können. Nur die vom Verkäufer autorisierten Fachleute dürfen die Reparaturen vornehmen. Die Gewährleistung deckt keine Schäden aus:

- Unsachgemäßem Transport,
- unsachgemäßer Lagerung,
- unsachgemäßem Gebrauch,
- nicht geeigneten Wasserparametern,
- unsachgemäßer elektrischer Spannung, welche von der Nennspannung abweicht,
- dem Einfrieren des Wassers,
- außergewöhnlichen Risiken, Unfällen oder

sonstiger höherer Gewalt,

- Nichtbeachtung der Montage- und Gebrauchsanleitung und
- in allen Fällen, wenn eine nicht autorisierte Person das Gerät zu reparieren versucht.

In den vorgenannten Fällen wird der Schaden gegen Bezahlung behoben. Die Gewährleistung des Geräts gilt nicht für Teile und Komponenten des Geräts, die während seiner üblichen Anwendung abgenutzt werden, auch nicht für Teile, die während des normalen Gebrauchs abgebaut werden, für Leuchten und Signallampen etc., für Verfärbung von externen Oberflächen, für Änderung der Form, der Abmessung und der Anordnung von Teilen und Komponenten, die einer den normalen Bedingungen für Verwendung des Geräts nicht entsprechenden Auswirkung ausgesetzt worden sind. Versäumte Nutzen, materielle und immaterielle Schäden infolge vorübergehender Unmöglichkeit zur Verwendung des Geräts in der Zeit seiner Reparatur und Wartung, werden von der Gewährleistung des Geräts nicht gedeckt.

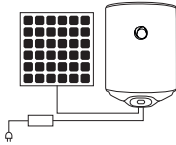
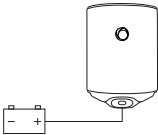
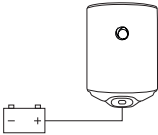
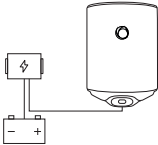
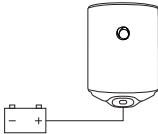
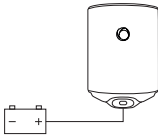
DIE EINHALTUNG DER ANGEGEBENEN ANFORDERUNGEN IM HANDBUCH SIND VORAUSSETZUNG FÜR DEN SICHEREN BETRIEB DES GEKAUFTEN PRODUKTS UND ZÄHLT ZU DEN GEWÄHRLEISTUNGSBEDINGUNGEN. JEGLICHE, VOM BENUTZER ODER VON DEN VON IHM BEVOLLMÄCHTIGTEN PERSONEN Vorgenommene Änderungen und Umbauten an der Konstruktion des Produkts sind streng verboten. Werden derartige Handlungen oder Versuche festgestellt, dann sind die Gewährleistungspflichten des Herstellers oder des Händlers unwirksam. Der Hersteller behält sich das Recht vor, Strukturveränderungen ohne Ankündigung vorzunehmen, sofern die Sicherheit des Produkts nicht beeinträchtigt wird. Falls notwendig oder wenn Missverständnisse im Zusammenhang mit der Übersetzung und mit den in dieser Sprachversion der Montage- und Gebrauchsanleitung verwendeten Begriffen bestehen, bitte die deutsche Version als Original und als vorrangige Version benutzen.

Spécifications

spécifications	unité	valeur		
chauffe-eau photovoltaïque				
nom du produit	–	PVB-10	PVB-30	PVB-80
volumen	l	9,5	29	77
puissance maximale de réchauffement	W	550	550	550
consommation maximale de courant	A	15,5	15,5	15,5
classe d'efficacité énergétique	–	A+	A+	A+
pression nominale	MPa	0,7	0,7	0,7
classe IP	–	X1	24	24
poids brut (± 3 %)	kg	7,2	15	25
température maximale de l'eau	°C	65	65	65
plage de réglage de la température de réchauffement de l'eau à option	°C	10–65	10–65	10–65
traqueur MPP intégré	–	✓	✓	✓
protection d'inversion de polarité intégrée	–	✓	✓	✓
affichage numérique	–	✓	✓	✓
prêt à réchauffement externe et connexion de batterie	–	✓	✓	✓
chauffe-eau en acier avec revêtement émaillé	–	✓	✓	✓
certification CE	–	✓	✓	✓
dimensions (longueur, largeur, hauteur)	cm	28 x 28 x 44	40 x 40 x 60	47 x 48 x 90
raccordement eau	–	G½ (M)	G½ (M)	G½ (M)
valve anti-retour/surpression combinée	–	✓	✓	✓
alimentation photovoltaïque				
puissance photovoltaïque recommandée	W _p	100–300	300–600	600–1200
puissance photovoltaïque maximale connectée	W _p	1500	1500	1500
tension maximale en circuit ouvert	V _{DC}	42,4	42,4	42,4
connecteur photovoltaïque	–	MC4	MC4	MC4

Note: Au chauffe-eau raccorder seulement des modules photovoltaïques de 36 cellules et de 60/120 cellules.

Modes de système

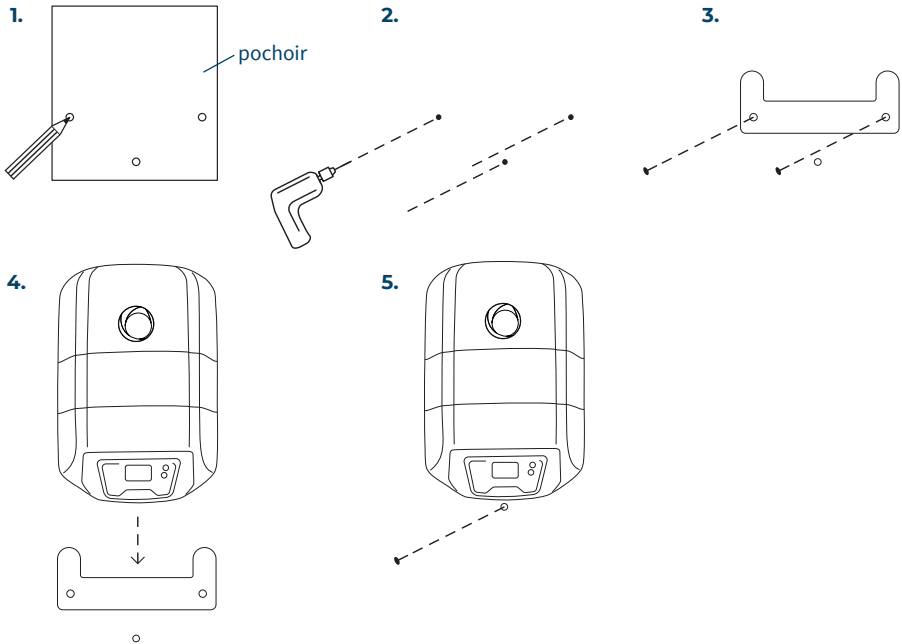
mode	image	description	source d'énergie
1		Le chauffe-eau est principalement alimenté par courant photovoltaïque. Si aucune énergie solaire n'est disponible, l'alimentation fothermo peut être utilisé en option pour le réchauffement du chauffe-eau jusqu'à la température minimale pré-réglée.	Module PV + unité d'alimentation en puissance fothermo*
2		Dès que la batterie connectée atteint la tension de 13,5 V, l'énergie excédentaire est utilisée pour alimenter le chauffe-eau. Cela se produit quand la batterie est en cours de chargement.	Batterie 12V <i>approuvée: LiFePO4, acide de plomb</i>
3		En plus du contrôle excessif, comme en mode 2, la batterie connectée est déchargée pour faire fonctionner le chauffe-eau. Cela se produit dès que la température baisse sous la température minimale pré-réglée. Mais seulement à condition que la tension de la batterie ne baisse pas au-dessous de 12,4 V.	Batterie 12V <i>approuvée: LiFePO4, acide de plomb</i>
4		Ce mode est sélectionné s'il existe un système externe de gestion de l'énergie (par ex. régulateur de charge solaire à protection contre la décharge profonde) qui débranche la puissance pour le chauffe-eau.	Gestion externe de l'énergie
5		Dès que la batterie connectée atteint la tension de 27,0 V, l'énergie excédentaire est utilisée pour alimenter le chauffe-eau. Cela se produit quand la batterie est en cours de chargement.	Batterie 24V <i>approuvée: LiFePO4, acide de plomb</i>
6		En plus du contrôle d'excédent, comme en mode 2, la batterie connectée est déchargée pour faire fonctionner le chauffe-eau. Cela se produit dès que la température baisse sous la température minimale pré-réglée. Mais seulement à condition que la tension de la batterie ne baisse pas au-dessous de 24,8 V.	Batterie 24V <i>approuvée: LiFePO4, acide de plomb</i>

*peut être acheté séparément

Montage

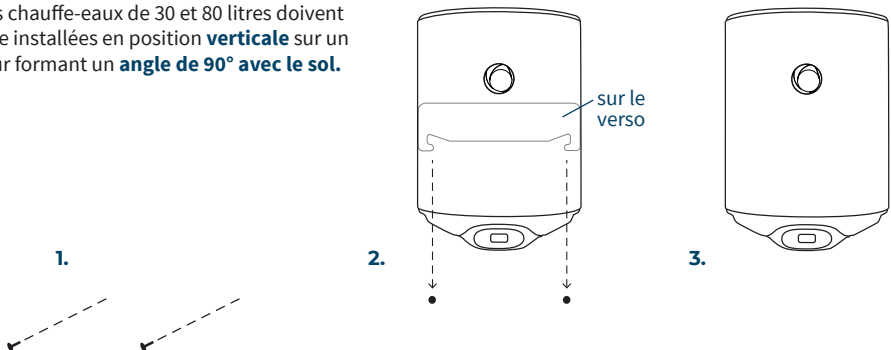
Chauffe-eau photovoltaïque – PVB-10

Le chauffe-eau de 10 litres doit être installé en position **verticale** sur un mur formant un **angle de 90° avec le sol**.

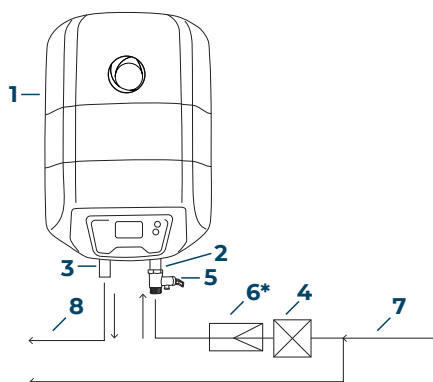


Chauffe-eau photovoltaïque – PVB-30 et PVB-80

Les chauffe-eaux de 30 et 80 litres doivent être installés en position **verticale** sur un mur formant un **angle de 90° avec le sol**.



Raccordement



- 1 Chauffe-eau
- 2 Entrée d'eau
- 3 Sortie d'eau
- 4 Robinet d'arrêt*
- 5 Valve anti-retour et de surpression combinée

- 6 Valve de surpression*
- 7 Eau froide
- 8 Eau chaude

*Non inclus

*nécessaire si la pression de l'eau est > 0,5 MPa (5 bars)

Temps de réchauffement de l'eau en fonction de la puissance de réchauffement

puissance	PVB-10	PVB-30	PVB-80
200 W	18 °C/h	6 °C/h	2 °C/h
400 W	36 °C/h	12 °C/h	4.5 °C/h
550 W	50 °C/h	16 °C/h	6 °C/h

Note

Les valeurs citées dans le tableau sont à titre indicatif. Les temps de réchauffement dépendent de nombreux facteurs (puissance, température de l'air ambiant, le prélèvement d'eau) et peuvent s'écarter de la réalité. Plus est importante la puissance photo-

voltaïque connectée, plus l'eau peut être réchauffée les jours de faible rayonnement solaire. L'eau est réchauffée avec la puissance maximale de 550 W, même s'il y a plus de puissance photovoltaïque disponible.

Plus de renseignements

Avertissements généraux

Avant de procéder au montage et à l'exploitation du chauffe-eau, veuillez lire attentivement les instructions et les avertissements dans ce manuel. Les informations contenues dans ce manuel sont destinées à vous familiariser avec le chauffe-eau, les règles de son fonctionnement correct et en sûreté, et avec les exigences minimales pour son entretien et service. En outre, vous êtes obligé de tenir ce manuel à la disposition du personnel qualifié, qui exécutera le montage et éventuellement les réparations de l'appareil. Le montage du chauffe-eau et la vérification de sa fonctionnalité ne constituent pas une obligation du commerçant, ni du fabricant.

Ces instructions doivent toujours être conservées à proximité de l'appareil pour consultations ultérieures. La conformité avec les règles citées fait partie des mesures de l'utilisation sûre de l'appareil, et puis elle est considérée comme partie des conditions de garantie.

Instructions de sécurité

ATTENTION ! Il existe le risque de brûlure ou de s'ébouillanter en utilisant l'appareil !

ATTENTION ! Les enfants ne doivent pas jouer avec cet appareil. Le nettoyage et l'entretien de l'appareil ne sont réalisés par des enfants que s'ils sont surveillés.

IMPORTANT ! Seul le personnel qualifié peut installer le chauffe-eau et le raccorder à la conduite d'eau selon les spécifications citées dans ce manuel et les réglementations locales pertinentes. Les dispositifs de protection fournis ou recommandés par le fabricant, comme tous les autres éléments préfabriqués, sont INCONDITIONNELLEMENT à installer.

IMPORTANT ! S'assurer que le chauffe-eau soit plein de l'eau avant de le brancher à l'alimentation électrique ! L'inobservance des conditions de raccordement électrique affecte la sécurité de l'appareil, par conséquent le chauffe-eau ne peut pas être utilisé.

IMPORTANT ! Tenir compte de la pression maximale autorisée (voir chapitre : Caractéristiques techniques).

Autres renseignements techniques importants

- L'appareil est sous pression. Il est possible que pendant le réchauffement de la valve anti-retour/de surpression s'écoule de l'eau de dilatation.
- Vérifier régulièrement la valve anti-retour/de surpression pour empêcher son blocage, par ex. pour éviter la déposition de tartre.
- Monter une valve de surpression vérifiée au tuyau de l'arrivée d'eau froide. Il faut avoir en vue, qu'en fonction de la pression dans le tuyau d'alimentation, peut être il serait nécessaire un régulateur de pression.
- Au tuyau de vidange monter une valve anti-retour/de surpression avec l'orifice vers le bas.
- Au tuyau de vidange monter une valve de surpression et un tuyau de drainage en pente descendante uniforme, dans un local à l'abri du gel.
- Dimensionner le tuyau de drainage de sorte que l'eau s'écoule librement quand la valve de surpression est complètement ouverte.
- L'orifice de la valve de surpression doit rester ouvert sur l'atmosphère.
- Cet appareil est doté de batteries rechargeables mais non remplaçables. C'est nécessaire pour son fonctionnement pendant la nuit. Une imperfection qui ne limite pas ses fonctions de base.
- Cet appareil peut être utilisé jusqu'à l'altitude de 4000 m au-dessus du niveau de la mer.

Caractéristiques techniques

Ce chauffe-eau peut assurer de l'eau chaude, provenant du réseau de distribution d'eau, à plusieurs consommateurs. L'eau utilisée pour le réchauffement doit satisfaire aux exigences des documents normatifs pour eau de service et en particulier : teneur en chlorure jusqu'à 250 mg/litre ; conductivité électrique supérieure à 100 $\mu\text{S/cm}$, valeur de pH de 6,5 – 8 pour les chauffe-eaux à cuve émaillée. L'isolement thermique consiste en mousse polyuréthane sans CFC.

La puissance électrique maximale de sortie du chauffe-eau est de 550 W. La consommation de puissance réelle de l'élément chauffant dépend à la fois de la puissance photovoltaïque connectée et de l'intensité du rayonnement solaire. L'eau est réchauffée à 65 °C maximum pour protéger les usagers contre les brûlures. Des informations détaillées on trouvera sur la fiche technique ou sur la plaque signalétique.

Les chauffe-eaux sont équipés d'une valve anti-retour/de surpression combinée (tableau 1, No. 5) pour éviter la surpression pendant le fonctionnement de l'appareil. Les cuves sont en acier à haute résistance avec un revêtement en émail et en plus avec une protection cathodique, procurée par l'anode en magnésium.

Montage

Le chauffe-eau est toujours monté en position verticale dans un local sec et à l'abri du gel, à côté d'une sortie de la conduite d'eau. L'appareil est conçu pour le montage fixe uniquement sur le mur. S'assurer que la capacité porteuse du mur soit suffisante. Lors de la sélection de l'emplacement appropriée pour le montage du chauffe-eau, il faut prendre en considération les éléments suivants :

- Le type et le matériau du mur,
- Les dimensions de l'appareil,
- Le type de fixation,
- L'emplacement des accessoires de fixation pour le montage sur le mur,
- La disposition des systèmes d'approvisionnement,

- Le degré de protection contre les éclaboussures d'eau.

Le local de montage doit satisfaire aux exigences d'installation électrique. Pendant le montage, prévoir une distance suffisante par rapport aux murs adjacents et suffisamment d'espace sous l'appareil pour les raccordements d'eau et de l'installation photovoltaïque.

PVB-10

La plaque d'accrochage (voir image No. 1) est fixée solidement au mur par deux goujons et les vis fournis. Après le montage du support mural, le chauffe-eau est accroché en place. Le chauffe-eau est ensuite fixé au mur à l'aide du troisième goujon et de la troisième vis (vis à tête hexagonale) par l'œillet au fond du boîtier. Un gabarit de perçage est joint avec le produit dans l'emballage.

PVB-30 et PVB-80

Les éléments de fixation (ex. goujons de 12 mm) doivent être sécurisés contre l'arrachement du mur. Les éléments de fixation doivent être conçus pour une masse TROIS FOIS plus grande que le poids du chauffe-eau plein d'eau. Sous les têtes des vis et des goujons il faut mettre des rondelles. Sur l'emballage de l'appareil est imprimé le gabarit de perçage.

Raccordement à l'alimentation en eau

Pour raccorder l'appareil à la conduite d'eau, il faut prêter attention aux flèches et aux anneaux indicatifs autour des tuyaux de l'eau froide et de l'eau chaude (tuyau d'alimentation et de sortie). L'anneau du tuyau d'eau froide est bleu et marqué de flèche en aval du tuyau. Le tuyau de la sortie d'eau chaude est indiqué par une flèche en sens contraire et par l'anneau rouge.

Le chauffe-eau est équipé d'une valve combiné anti-retour/de surpression, fournie dans l'emballage du produit et qui DOIT être montée sur le tuyau d'eau froide. Elle doit être montée de façon que la flèche sur le corps de la valve indique le sens du flux de l'eau passant par la valve. Les raccords ont le filetage extérieur de G $\frac{1}{2}$. Les schémas représentant la connexion du chauffe-eau sont représentés sur figures 1 et 2.

Le chauffe-eau fonctionne à la pression de la conduite d'eau. La pression de l'eau dans la conduite

d'alimentation doit être supérieure à 0,1 MPa (1 bar) et inférieure à 0,5 MPa (5 bars). Si la pression de la conduite d'eau est supérieure à 0,5 MPa, il faut installer une valve de surpression. Au cas où, il serait nécessaire utiliser des accessoires supplémentaires, non compris dans le lot de la livraison, ceux-ci doivent être installés conformément aux présentes spécifications.

Au cas où les conduites d'alimentation en eau seraient en cuivre ou en un autre métal, distinct du métal du chauffe-eau, et si des éléments d'assemblage en laiton sont utilisés, il faut monter à l'entrée et à la sortie du chauffe-eau des raccords non métalliques (raccords diélectriques).

ATTENTION ! Il est interdit de monter n'importe quel élément de fermeture ou raccords anti-retour entre la valve de surpression et le chauffe-eau, comme de bloquer l'orifice latéral de la valve de surpression et/ou verrouiller son levier !

Il est recommandé d'utiliser un système de drainage pour évacuer l'eau s'égouttant de l'orifice latéral de la valve de surpression. Il faut monter le tuyau de vidange à pente descendante constante dans un endroit à l'abri du gel et il doit toujours rester ouvert. Le raccordement du chauffe-eau à la conduite d'eau exécuté, il faut le remplir d'eau. La séquence des étapes à effectuer est :

- Ouvrir complètement le robinet d'eau chaude au point d'utilisation le plus éloigné.
- Ouvrir la valve d'arrêt (Tableau 1, point 4).
- Attendre jusqu'à ce que l'air du système s'échappe et l'eau commence à s'écouler du robinet en fort jet d'eau. Laisser l'eau couler pendant environ 30 secondes.
- Fermer le robinet d'eau chaude du mélangeur.
- Soulever le petit levier de la valve anti-retour/ de surpression (Tableau 1, point 5), attendre 30-60 secondes jusqu'à ce qu'un jet d'eau fort s'écoule par l'orifice latéral de la valve.
- Relâcher le levier de la valve.

ATTENTION ! Si de l'orifice de la valve l'eau ne s'écoule pas ou coule en mince filet, cela indique une défaillance. Ceci est possiblement dû à la conta-

mination dans la conduite d'eau. Il faut éliminer le problème avant la mise en service de l'appareil.

ATTENTION ! La valve combinée anti-retour/de surpression est l'un des dispositifs de protection qui assurent la sécurité du chauffe-eau. Il est **STRICTEMENT INTERDIT** d'utiliser le chauffe-eau avec la valve combinée anti-retour/de surpression (valve de sûreté) endommagée ou retirée/non installée!

La valve de surpression peut également être utilisée pour vidanger l'eau de la cuve. Dans ce cas, il faut procéder comme suit:

- Débrancher le chauffe-eau de tout câble électrique sous tension.
- Débrancher l'arrivée d'eau froide.
- Ouvrir le robinet d'eau chaude du mélangeur ou débrancher le tuyau d'eau chaude (tuyau de retour) du chauffe-eau.
- Soulevez le petit levier de la valve de surpression (Tableau 1, No. 5) et attendre jusqu'à ce que de la valve ne coule plus d'eau.

ATTENTION ! L'eau courante peut être chaude – risque d'échaudage. Ces étapes ne garantissent pas la vidange complète de la cuve.

IMPORTANT ! En vidangeant la cuve il faut envisager toutes les précautions nécessaires à prendre pour éviter tout dommage causé par l'eau évacuée.

IMPORTANT ! Au Danemark, en Suède, en Norvège et Finlande, on ne peut procéder au raccordement du chauffe-eau à la distribution d'eau public que par l'intermédiaire d'un réducteur de pression approprié. La réglementation locale doit être observée.

Connexion électrique

ATTENTION ! N'importe quelle connexion électrique est effectuée uniquement lorsque le chauffe-eau est plein d'eau.

IMPORTANT ! Le chauffe-eau est alimenté par courant continu. Le chauffe-eau est protégé contre le choc électrique de « Classe III » et il peut être alimenté en très basse tension de sécurité (TBTS) uniquement. Il ne peut être branché qu'aux sources de

puissance recommandées par le fabricant. L'alimentation inadéquate et/ou non appropriée comporte un risque élevé et il est probable de causer un accident. Il faut remplacer les câbles de raccordement de l'appareil s'ils sont endommagés.

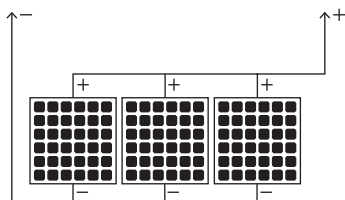
IMPORTANT ! Les modules photovoltaïques sont connectés **UNIQUEMENT EN PARALLÈLE**. Quant on connecte plus d'un module photovoltaïque, pour la connexion en parallèle il faut toujours utiliser un connecteur. Pour plus d'informations, voir l'illustration « Connecteur PV en parallèle ». Le raccordement en série des modules photovoltaïques endommagera le chauffe-eau.



Connecteur PV en parallèle



Faites attention à la polarité correcte lors de la connexion !



Connexion de modules PV en configuration parallèle uniquement ! La connexion en série endommagera l'appareil !

Le raccordement électrique des chauffe-eau est effectué à l'aide des fiches MC4, fournies par la fabrique. Il faut vérifier le fonctionnement de l'appareil après le raccordement électrique. Quand tous les raccords d'alimentation sont débranchés, le chauffe-eau est complètement déconnecté des sources d'alimentation.

Connexion des modules photovoltaïques

IMPORTANT ! Le montage et le raccordement électrique en parallèle des modules PV n'est effectué que par une personne qualifiée et ne doit pas mettre en danger les tiers. En installant les modules photovoltaïques il faut appliquer les règlements et

lois locaux en vigueur.

IMPORTANT ! Les câbles doivent toujours être posés de manière que personne ne puisse trébucher sur eux ou s'y prendre les pieds. Il existe le danger de blessure. Les câbles doivent être fixés de façon qu'il n'existe aucun effort de rupture sur les connecteurs. De plus, il ne faut pas que les câbles et les connecteurs frottent contre les surfaces et les bords (par ex. à cause du vent) Les câbles ne doivent pas se trouver en permanence dans l'eau.

IMPORTANT ! Seuls peuvent être connectés les modules photovoltaïques de 60, respectivement de 120 cellules au maximum et à tension en circuit ouvert de 42,4 V.

- Les modules photovoltaïques doivent être connectés correctement à l'aide des fiches MC4, fournies par la fabrique.
- On peut connecter jusqu'à cinq modules en parallèle. Selon le module, cela correspond à la puissance MPP d'environ 1500 Wp.

Dimensionnement de la puissance photovoltaïque nécessaire :

- Plus sont nombreuses les heures d'ensoleillement attendues par jour d'utilisation, plus la puissance photovoltaïque nécessaire, est faible.
- Plus est chaude l'eau fournie par la conduite d'eau, plus la puissance PV requise est faible.
- Dimensionner la puissance photovoltaïque nécessaire selon les mois dont le niveau de radiation est le plus bas, pendant lesquels le chauffe-eau photovoltaïque sera utilisé.
- Plus est grande la quantité d'eau chaude consommée par jour, plus la puissance PV requise est importante.

Le tableau suivant sert de guide pour le dimensionnement la puissance photovoltaïque nécessaire en fonction sur les conditions climatiques :

conditions climatiques	PVB-10	PVB-30	PVB-80
Pays moins ensoleillés, par exemple Europe du Nord et Europe centrale	300 W _p	600 W _p	1200 W _p
Pays ensoleillés, par exemple Europe méridionale et Afrique	150 W _p	300 W _p	600 W _p

Ces valeurs citées sont indicatives. En fonction des conditions locales et des conditions d'utilisation respectives, le rendement prévu de la production photovoltaïque peut s'écarter des valeurs citées.

Extension de la ligne photovoltaïque

Si le câble photovoltaïque est rallongé, les fiches de raccordement MC4 doivent être correctement fixées pour assurer la fonctionnalité et la sécurité. Essentiellement, le câble PV doit être le plus court possible. La recommandation de la longueur, en fonction de la valeur nominale du générateur PV raccordé, est indiquée dans le tableau ci-dessous.

puissance photovoltaïque connectée	4 mm ²	6 mm ²	10 mm ²
~325 W _p	≤ 18 m	≤ 27 m	≥ 27 m
~650 W _p	≤ 11 m	≤ 16 m	≥ 16 m
~975 W _p	≤ 9 m	≤ 13 m	≥ 13 m

Longueur de câble recommandée (dans les deux sens) pour puissances et sections nominales différentes

Raccordement d'alimentation externe

IMPORTANT ! Utiliser uniquement les blocs d'ali-


mentation recommandés par le fabricant. L'inobservation rendra invalide la garantie et peut endommager le chauffe-eau.

Les sources d'énergie externes sont destinées à l'utilisation prolongée des chauffe-eaux photovoltaïques. Par exemple, pour surmonter de longues périodes de mauvais temps en contactant une source de courant alternatif (numéro de modèle : PSU-12, PSU-18). De plus, il existe la possibilité de transformer le surplus d'énergie, provenant des accumulateurs chargés par l'énergie photovoltaïque, en chaleur par le chauffe-eau. Pour plus d'informations détaillées, se référer à la description de la source respective.

Fonctionnement


ATTENTION ! Cet appareil peut être utilisé par des personnes (y compris les enfants de plus de 8 ans) avec capacités physiques ou mentales réduites, seulement s'ils sont surveillés ou ont été instruits par une personne responsable à utiliser l'appareil. Les enfants doivent être surveillés, pour les empêcher en toute circonstance de jouer avec l'appareil. Il est interdit aux enfants de nettoyer ou de faire fonctionner le chauffe-eau.


Fonctionnement

Allumer : Appuyez sur le bouton  pendant trois secondes.



Affichage : La température actuelle de l'eau est affichée sur l'écran.

- POWER IN : Puissance d'entrée des modules PV
- TENSION : Tension d'entrée des modules PV
- EXT SUPPLY: Raccordement d'alimentation externe
- USED PV ENERGY: Énergie PV totale utilisée

Menu Navigation : Appuyer brièvement sur le bouton  En appuyant de nouveau sur le bouton, on passe à la page suivante du menu.

Paramètres : Appuyer plusieurs fois sur le bouton  Cela permet de procéder aux réglages individuels de l'appareil.

Noter : Les réglages ne sont actifs que lorsqu'une source externe d'énergie est connectée au chauffe-eau photovoltaïque.

- CHANGE MIN. TEMPÉRATURE : Sélectionner la température minimale souhaitée en appuyant sur le bouton 
- CHANGE SYSTEM MODE : Sélectionner le mode souhaité en appuyant sur le bouton  Mode 1 (PV HOME) est préétabli par la fabrique.


Guide rapide : Modes de système

Modus 1 (PV HOME)

Pour le raccordement direct de modules photovoltaïques. Et en plus l'alimentation en électricité Fothermo (peut être achetée séparément), en option.

Modes 2 à 6

Pour la connexion de sources externes d'énergie, telles que batterie. Il est nécessaire un câble de batterie fothermo, qui peut être acheté séparément. Plus d'informations détaillées peuvent être trouvées dans la description du produit respectif.

- SWITCH OFF : Appuyez sur le bouton  pendant trois secondes.

Autres renseignements importants

Écoulement d'eau

Pendant le fonctionnement normal du chauffe-eau, de la valve anti-retour et de surpression peut s'écouler de l'eau à cause de sa dilatation pendant le réchauffement. S'assurer que l'eau qui s'écoule, peut toujours être évacuée. L'écoulement de l'eau ne représente pas un défaut. L'orifice latéral de la valve ne doit en aucun cas être fermé. Le montage d'un tuyau de drainage rendra plus facile les opérations ultérieures d'entretien et de service, car l'eau est facilement vidangée du chauffe-eau.

Apparition de bruits

Pendant le réchauffement, à l'intérieur l'appareil peut apparaître du bruit. Cela est dû aux dépôts calcaires sur l'élément chauffant. La formation augmentée de calcaire peut être observé à température de l'eau supérieure à 60 °C. Cela peut mener à la détérioration et à l'endommagement des éléments chauffants et du chauffe-eau.

Formation de colonies de Legionelles

Pour le petit volume du réservoir de stockage d'eau chaude, le risque de formation de colonies de Legionella dans le système est (presque) complètement exclu. Toutefois, afin de prendre des précautions, les mesures suivantes sont recommandées :

- Approvisionnement en eau fraîche ou prélèvement régulier d'eau.
- Réchauffer souvent l'eau jusqu'à 60 °C au moins.
- Si l'appareil n'est pas utilisé pendant plus d'un mois, il est recommandé de changer l'eau.

Entretien

Protection contre la corrosion

À chaque chauffe-eau à cuve émaillée est intégrée une protection supplémentaire contre la corrosion. Cette la protection contre la corrosion consiste en une anode en magnésium (anode sacrificielle). L'anode est une pièce consommable (c'est-à-dire soumise à l'usure pendant le fonctionnement normal de l'appareil). Sa durée moyenne est de 3 ans, et dépend notamment du mode de fonctionnement de l'appareil et des propriétés de l'eau chaude. L'état de l'anode doit être vérifié à intervalles régulières et si nécessaire, remplacée par un spécialiste du service après-vente, autorisé par le fabricant ou par le vendeur.

Le respect de la durée et le remplacement à temps de l'anode sont des conditions importantes pour la protection efficace contre la corrosion du chauffe-eau. L'inspection et le remplacement de l'anode ne font pas l'objet des obligations de garantie du fabricant et du commerçant. Pour assurer le fonctionnement en sécurité du chauffe-eau, il est recommandé le nettoyage régulier du calcaire accumulé dans le chauffe-eau. Il faut procéder au nettoyage au moins une fois tous les deux ans, ou plus souvent dans des régions d'eau calcaire. Il ne faut pas gratter les dépôts accumulés sur le revêtement en émail, mais simplement les essuyer avec un chiffon en coton sec. Le nettoyage et l'enlèvement du calcaire réguliers sont particulièrement importants pour le fonctionnement sûr de l'appareil. Lors du nettoyage il faut vérifier aussi l'anode dans la cuve émaillée. Ces services ne font pas l'objet des obligations de garantie et doivent être exécutés par des personnes

compétentes. La réglementation sur le contrôle de la protection anodique, comme le remplacement de l'anode et l'évacuation du tartre accumulé, doivent être respectées pendant et après la période de garantie de l'appareil.

Valve combinée anti-retour/de surpression

Pour garantir le fonctionnement sans problème et en toute sécurité du chauffe-eau, la valve combinée doit être régulièrement vérifiée pour la réduction de la perméabilité. Pour ce faire, il faut soulever le petit levier et attendre environ 30-60 secondes jusqu'à ce que de l'orifice latérale de la valve commence à couler un fort jet d'eau. Il faut effectuer ce contrôle quand le chauffe-eau est plein d'eau, à intervalles de 2 semaines et après la restauration d'une panne de l'approvisionnement en eau. Si de l'orifice ouvert de la valve ne coule aucune eau ou seulement un mince filet d'eau, cela indique que le fonctionnement est incorrect. Il peut y avoir une contamination dans la conduite d'eau. Le problème doit être éliminé avant la mise en service.


Nettoyage

L'enveloppe extérieure et les pièces plastiques du chauffe-eau il faut nettoyer uniquement avec un chiffon en coton, légèrement humide, sans employant des agents agressifs et/ou récurant. Ne pas nettoyer l'appareil avec un nettoyeur à vapeur. Le chauffe-eau est remis en service quand l'humidité a complètement disparu.

Perturbation du fonctionnement

Au cas où pendant l'utilisation du chauffe-eau se présenterait un défaut, il faut débrancher toutes les lignes sous tension de l'appareil et contacter le fabricant ou le vendeur.

Protection de l'environnement

Cet appareil est marqué conformément à la Directive UE relative aux déchets d'équipements électriques et électroniques (DEEE). S'assurant qu'en fin de vie, l'appareil est mis au rebut dans un centre de traitement des déchets approprié, vous contribuez à la protection de l'environnement et à prévenir les effets négatifs sur l'environnement et la santé de l'homme. Le symbole  sur le chauffe-eau indique qu'en fin de vie l'appareil ne doit pas être mis au rebut avec

les déchets ménagers normaux.

Il doit être remis dans un centre de traitement des déchets disposant d'installations spéciales pour les équipements électriques ou électroniques. L'utilisateur final doit respecter les réglementations locales en matière d'élimination de déchets. Pour plus d'informations relatives au traitement, la récupération et le processus de recyclage, contacter Votre administration municipale, le centre de traitement des déchets approprié de la ville, ou le commerçant où vous avez acheté le produit.

Garantie

La garantie de l'appareil est valable uniquement sous les conditions suivantes respectées :

- L'appareil est installé conformément aux instructions de montage et d'utilisation.
- L'appareil n'est utilisé que pour l'usage auquel il est destiné, et conformément au montage et au mode d'emploi.

La garantie du fabricant couvre la réparation de tous les vices de fabrication pouvant apparaître durant la période de garantie. Seuls les professionnels autorisés par le vendeur peuvent effectuer les réparations. La garantie ne couvre pas les dommages de :

- Transport inapproprié ;
- Stockage inapproprié ;
- Utilisation incorrecte ;
- Paramètres inappropriés de l'eau,
- Tension électrique incorrecte qui s'écarte de la tension nominale,
- Congélation de l'eau,
- Risques, accidents exceptionnels ou autre forces majeures,
- L'inobservation des instructions de montage et d'utilisation et
- Dans tous les cas où une personne non autorisée tente de réparer l'appareil.

Dans les cas susmentionnés, le dommage sera réparé contre paiement. La garantie ne s'applique pas aux pièces et composants de l'appareil usés pendant son fonctionnement normal, ni aux pièces démontées, aux voyants lumineux et lampes de signalisation, etc., à la décoloration des surfaces externes, aux changements de la forme, des dimensions et de la disposition des pièces et composants qui ont été soumis à une action en contradiction avec les conditions normales d'utilisation de l'appareil. Tout avantage manqué, dommages matériels et immatériels résultant de la mise hors d'usage temporairement de l'appareil pendant la période de sa réparation et de son entretien, ne sont pas couverts par la garantie de l'appareil.

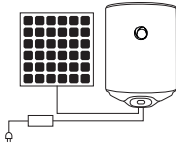
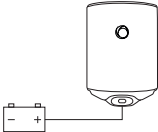
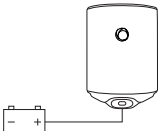
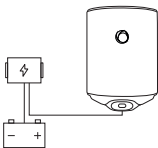
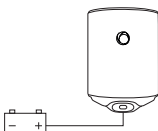
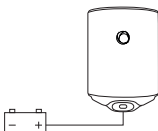
LA CONFORMITÉ AUX EXIGENCES SPECIFIÉES DANS CE MANUEL EST UNE CONDITION PRÉALABLE POUR LE FONCTIONNEMENT SÛR DU PRODUIT ACHETÉ ET FAIT PARTIE DES CONDITIONS DE LA GARANTIE. TOUTE MODIFICATION OU ALTÉRATION À LA CONCEPTION DU PRODUIT, FAITES PAR L'UTILISATEUR OU PAR DES PERSONNES AUTORISÉES PAR L'UTILISATEUR, SONT STRICTEMENT INTERDITES. TOUS CES ACTES OU TENTATIVES ANNULENT LES OBLIGATIONS DE GARANTIE DU FABRICANT OU DU DISTRIBUTEUR. LE FABRICANT SE RÉSERVE LE DROIT D'APPORTER DES CHANGEMENTS STRUCTURELS SANS AVIS, À CONDITION QUE LA SÉCURITÉ DU PRODUIT NE SOIT PAS AFFECTÉE. EN CAS DE NÉCESSITÉ, OU DE MALENTENDUS EN RELATION AVEC LA TRADUCTION OU LES TERMES UTILISÉS DANS CETTE VERSION LINGUISTIQUE DE MONTAGE ET LES INSTRUCTIONS DE FONCTIONNEMENT, VEUILLEZ UTILISER LA VERSION ALLEMANDE COMME LA VERSION ORIGINALE ET PRINCIPALE.

Specificazioni

specificazioni	unità	valore		
boiler fotovoltaico				
denominazione del prodotto	–	PVB-10	PVB-30	PVB-80
volume	l	9,5	29	77
max. potenza di riscaldamento	W	550	550	550
max. consumo di corrente	A	15,5	15,5	15,5
classe di efficienza energetica	–	A+	A+	A+
pressione nominale	MPa	0,7	0,7	0,7
IP-classe	–	X1	24	24
peso lordo (± 3 %)	kg	7,2	15	25
max. temperatura dell'acqua	°C	65	65	65
diapason di temperatura dell'acqua regolabile per il riscaldamento opzionale	°C	10–65	10–65	10–65
tracker MPP integrato	–	✓	✓	✓
protezione integrata da polarità inversa	–	✓	✓	✓
display digitale	–	✓	✓	✓
preparazione per riscaldamento esterno e collegamento della batteria	–	✓	✓	✓
boiler in acciaio con rivestimento smaltato	–	✓	✓	✓
CE-certificato	–	✓	✓	✓
dimensioni (lunghezza, larghezza, altezza)	cm	28 x 28 x 44	40 x 40 x 60	47 x 48 x 90
connessione idrica	–	G½ (M)	G½ (M)	G½ (M)
valvola di non ritorno e valvola di scarico combinate	–	✓	✓	✓
ingresso fotovoltaico				
potenza fotovoltaica raccomandata	W _p	100 – 300	300 – 600	600 – 1200
massima potenza fotovoltaica collegata	W _p	1500	1500	1500
massima tensione di circuito aperto	V _{oc}	42,4	42,4	42,4
connettore fotovoltaico	–	MC4	MC4	MC4

Nota: Solo moduli fotovoltaici da 36 celle e 60/120 celle che possono essere collegati al boiler.

Regimi del sistema

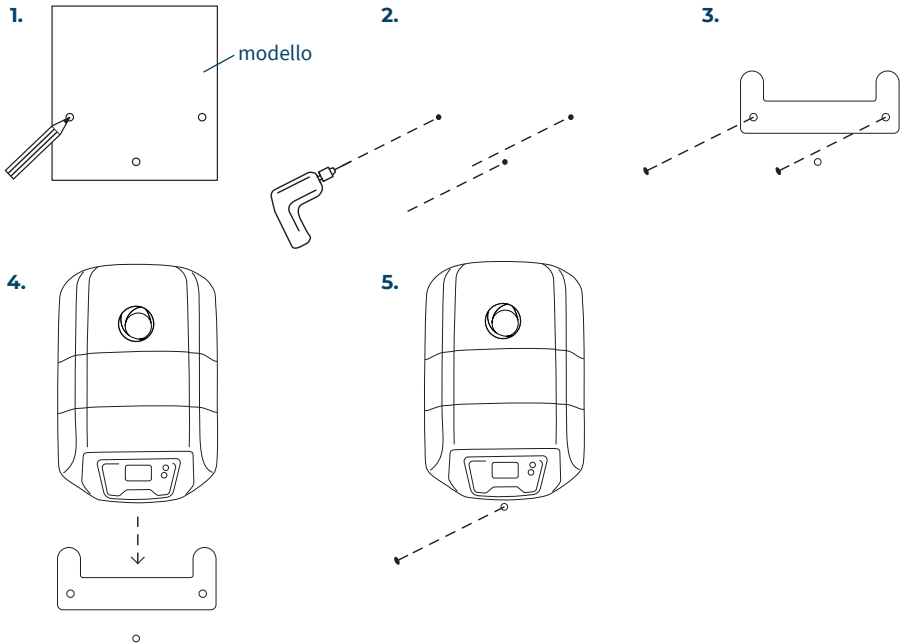
regime	foto	descrizione	fonte d'energia
1		Il boiler è alimentato principalmente da corrente fotovoltaica. Se l'energia solare non è disponibile, è possibile utilizzare un'alimentazione fotovoltaica per riscaldare il boiler alla temperatura minima impostata.	Modulo fotovoltaico + blocco d'alimentazione fothermo*
2		Quando la batteria collegata raggiunge una tensione di 13,5 V, l'energia in eccesso viene utilizzata per alimentazione del boiler. Ciò accade mentre la batteria è in carica.	12 V batteria <i>Omologata: LifePO4, piombo-acido</i>
3		In aggiunta al controllo dell'eccesso, come nel regime 2, la batteria collegata viene scaricata per far funzionare il boiler. Ciò accade subito quando la temperatura scende al di sotto della temperatura minima impostata. Ma solo fino a quando la tensione della batteria non scende al di sotto di 12,4 V.	12 V batteria <i>Omologata: LifePO4, piombo-acido</i>
4		Questo regime deve essere selezionato se è presente un sistema esterno di gestione dell'energia (es. regolatore di carica solare con protezione contro la scarica profonda) che rilascia energia per il boiler.	Gestione esterna dell'energia
5		Quando la batteria collegata raggiunge una tensione di 27,0 V, l'energia in eccesso viene utilizzata per alimentazione del boiler. Ciò accade mentre la batteria è in carica.	24 V batteria <i>Omologata: LifePO4, piombo-acido</i>
6		In aggiunta al controllo dell'eccesso, come nel regime 2, la batteria collegata viene scaricata per far funzionare il boiler. Ciò accade subito quando la temperatura scende al di sotto della temperatura minima impostata. Ma solo fino a quando la tensione della batteria non scende al di sotto di 24,8 V.	24 V batteria <i>Omologata: LifePO4, piombo-acido</i>

*può essere acquistato separatamente

Assemblaggio

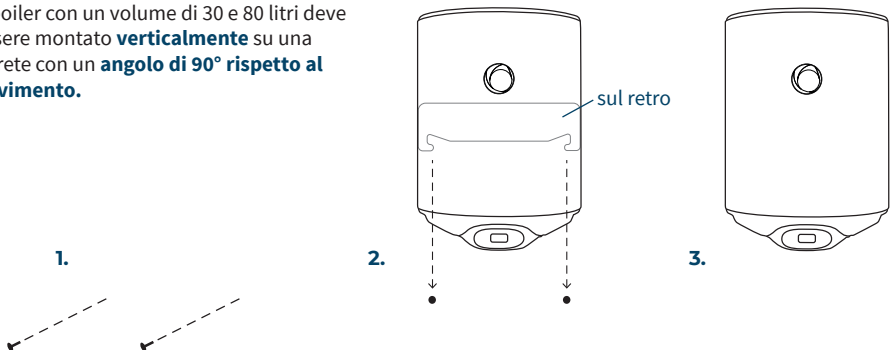
Boiler fotovoltaico – PVB-10

Il boiler con un volume di 10 litri deve essere montato **verticalmente** su una parete con un **angolo di 90° rispetto al pavimento**.

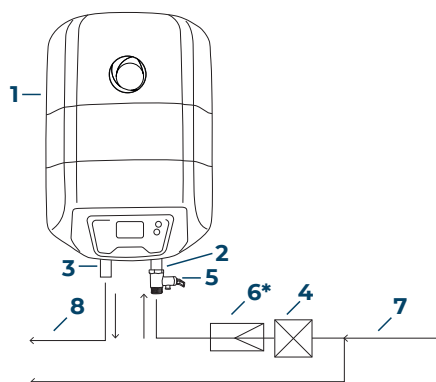


Boiler fotovoltaico – PVB-30 & PVB-80

Il boiler con un volume di 30 e 80 litri deve essere montato **verticalmente** su una parete con un **angolo di 90° rispetto al pavimento**.



Connessione



- 1 serbatoio per acqua calda
- 2 presa d'acqua
- 3 uscita d'acqua
- 4 valvola d'intercettazione*

- 5 valvola combinata di non ritorno e scarico
- 6 valvola per riduzione della pressione*
- 7 acqua fredda
- 8 acqua calda

*non incluso

*necessario, se la pressione dell'acqua > 0,5 MPa (5 bar)

Tempo di riscaldamento dell'acqua secondo la potenza di riscaldamento

potenza	PVB-10	PVB-30	PVB-80
200 W	18 °C/h	6 °C/h	2 °C/h
400 W	36 °C/h	12 °C/h	4.5 °C/h
550 W	50 °C/h	16 °C/h	6 °C/h

Nota

I valori riportati nella tabella sono indicativi. Il tempo di riscaldamento dipende da molti fattori (potenza, temperatura ambiente, prelievo di acqua) e può differire dai valori effettivi. Quanto maggiore è la potenza fotovoltaica collegata, tanto maggiore è

l'acqua che può essere riscaldata nelle giornate con basso irradiazione solare. L'acqua viene riscaldata ad una potenza massima di 550 W, anche se è disponibile più potenza fotovoltaica.

Informazioni aggiuntive

Avvertenze generali

Assicurarsi di leggere attentamente le istruzioni e le avvertenze in questo manuale prima di installare e utilizzare il boiler. Le informazioni contenute in questo manuale hanno lo scopo di farvi conoscere il boiler, le regole per un funzionamento corretto e sicuro e le esigenze minime per la sua manutenzione e assistenza. Inoltre, è necessario fornire questo manuale al personale qualificato che installerà ed eventualmente riparerà l'apparecchio. L'installazione del boiler e la verifica della sua funzionalità non rientra negli obblighi di garanzia dei distributori o del produttore.

Questo manuale deve essere sempre conservato vicino al dispositivo per riferimenti futuri. Il rispetto delle regole qui descritte fa parte delle misure per un uso sicuro del prodotto ed è considerato una parte delle condizioni di garanzia.

Istruzioni di sicurezza

AVVERTIMENTO! Pericolo di ustione o bruciatura durante l'uso dell'apparecchio!

AVVERTIMENTO! I bambini non devono giocare con l'apparecchio. La pulizia e la manutenzione non devono essere eseguite da bambini senza sorveglianza.

IMPORTANTE! Solo personale qualificato può installare il boiler e collegarlo alla rete idrica, osservando le specifiche riportate in questo manuale e le normative locali pertinenti. I dispositivi di protezione forniti o consigliati dal produttore, così come tutti gli altri gruppi, devono essere installati IMMEDIATAMENTE!

IMPORTANTE! Obbligatoriamente riempire il boiler con acqua, prima di collegarlo alla rete elettrica! L'inosservanza delle condizioni per collegamento elettrico influenza alla sicurezza dell'apparecchio ed in quel caso il boiler non deve essere usato.

IMPORTANTE! Osservare la pressione massima consentita (vedi capitolo: Dati tecnici).

Altre note importanti

- L'apparecchio è sotto pressione. Durante il riscaldamento dalla valvola di scarico può gocciolare acqua di espansione.
- Azionare regolarmente la valvola di scarico per evitare che si blocchi, ad esempio a causa di depositi di calcare.
- Installare una valvola di scarico omologata nella linea di alimentazione dell'acqua fredda. Si noti che a seconda della pressione dell'acqua di alimentazione, potrebbe essere necessario installare un riduttore di pressione.
- Installare la valvola di scarico con il foro rivolto verso il basso.
- Installare la valvola di scarico e il tubo di drenaggio con una pendenza costante verso il basso in una stanza non congelante.
- Dimensionare il tubo di drenaggio in modo che l'acqua scorra liberamente quando la valvola di scarico è completamente aperta.
- L'uscita della valvola di scarico deve rimanere aperta all'atmosfera.
- Questo dispositivo contiene una batteria mantenente non sostituibile. È necessaria per il funzionamento del display durante la notte. In caso di difetto, la funzionalità di base non è limitata.
- Questo dispositivo può essere utilizzato ad altitudini fino a 4000 m sul livello del mare.

Dati tecnici

Questo boiler può fornire acqua calda dalla rete idrica pubblica a più utenze. L'acqua utilizzata per il riscaldamento deve soddisfare i requisiti dei documenti normativi per l'acqua sanitaria, in particolare: Contenuto di cloruri fino a 250 mg/l; conducibilità elettrica superiore a 100 pS / cm, valore pH 6,5-8 per serbatoi di acqua calda smaltati. L'isolamento termico è costituito da schiuma poliuretana priva di freon.

La potenza elettrica massima del boiler è di 550 W. Il consumo effettivo di energia dell'elemento riscaldante dipende dalla potenza fotovoltaica collegata, nonché dall'intensità dell'irradiazione solare. L'acqua viene riscaldata a un massimo di 65 °C per fornire protezione contro le ustioni. Informazioni dettagliate possono essere trovate nel foglio informativo o sulla tabella con nomi.

I boiler sono dotati di una valvola combinata di non ritorno e scarico (Tabella 1, ¶ 5) per prevenire la sovrappressione durante il funzionamento dell'apparecchio. I serbatoi dell'acqua sono realizzati in acciaio con rivestimento smaltato ad alta resistenza e protezione catodica aggiuntiva fornita da un anodo di magnesio.

Montaggio

Il boiler deve essere installato verticalmente, in un locale non congelante e asciutto, vicino al punto di prelievo. Il dispositivo è destinato esclusivamente al montaggio a parete fisso. Assicurarsi che la parete abbia una capacità portante sufficiente. Quando si sceglie un luogo adatto per l'installazione del boiler è necessario tenere conto di quanto segue:

- Tipo e materiale della parete,
- dimensioni dell'apparecchio,
- tipo del montaggio,
- la posizione degli elementi di fissaggio per il montaggio a parete,
- la posizione dei tubi
- e il grado di protezione contro le perdite d'acqua.

Il luogo di montaggio deve soddisfare i requisiti per l'installazione elettrica. Durante il montaggio, prevedere una distanza sufficiente dalle pareti adiacenti e uno spazio sufficiente sotto l'apparecchio per i collegamenti idrici e fotovoltaici.

PVB-10

La cinghia di sospensione (vedi figura 1) è fortemente fissata alla parete mediante due perni e le viti in dotazione. Dopo aver installato la staffa a parete, il serbatoio dell'acqua calda viene appeso

in posizione. Il boiler viene quindi fissato alla parete mediante il terzo perno e la terza vite (testa esagonale) attraverso il foro nella parte inferiore del corpo. Al prodotto è allegato un modello per perforazione dei fori.

PVB-30 and PVB-80

Gli elementi di fissaggio (per esempio viti da 12 mm) devono essere assicurati contro la rimozione dalla parete. Gli elementi di fissaggio devono essere progettati per un peso TRE VOLTE in più rispetto al peso del boiler pieno d'acqua. Sotto le teste delle viti dei bulloni devono essere posizionati sottostrati. Un modello di perforazione di fori è stampato sulla confezione del prodotto.

Connessione alla rete idrica

Quando si collega il dispositivo alla rete idrica, osservare le frecce e gli anelli indicati attorno ai tubi dell'acqua calda e fredda (tubo di mandata e di ritorno). Il tubo dell'acqua fredda ha un anello blu ed è indicato da una freccia che punta al tubo. Il tubo dell'acqua calda è contrassegnato da una freccia che punta verso l'esterno rispetto al tubo e da un anello rosso.

Il boiler è dotato di una valvola combinata di non ritorno e scarico che è inclusa nella confezione del prodotto e DEVE essere montata sulla tubazione dell'acqua fredda. Durante questa installazione, è necessario osservare la freccia sul corpo della valvola che indica la direzione del flusso d'acqua attraverso la valvola. I raccordi per tubi hanno una filettatura G1/2 esterna. Le immagini schematiche relative al collegamento del boiler sono riportate nelle foto 1 e 2.

Il boiler funziona sotto pressione dal tubo dell'acqua. La pressione dell'acqua nel sistema di approvvigionamento idrico deve essere superiore a 0,1 MPa (1 bar) e inferiore a 0,5 MPa (5 bar). Se la pressione del tubo d'acqua supera 0,5 MPa, è necessario installare una valvola per riduzione della pressione. Se è necessario utilizzare un'apparecchiatura aggiuntiva, non inclusa nella fornitura standard, per conformarsi alle normative locali, è necessario installarla in conformità a queste specifiche.

In caso quando le tubazioni d'acqua siano in rame o altro metallo, diverso dal metallo del serbatoio dell'acqua, così come se si utilizzano elementi di

collegamento in ottone, sul lato per alimentazione e lato opposto del boiler è necessario installare raccordi non metallici (raccordi dielettrici).

AVVERTIMENTO! È vietato installare raccordi di intercettazione o non ritorno tra la valvola di scarico e il boiler, nonché bloccare l'apertura laterale della valvola di scarico e/o bloccare la leva!

Si raccomanda un sistema di drenaggio per rimozione dell'acqua che può gocciolare dall'apertura laterale della valvola di scarico. La linea di drenaggio deve essere progettata con pendenza costante verso il basso in un ambiente non congelante e deve rimanere aperta. Dopo aver collegato il boiler alla rete idrica, riempire il serbatoio con acqua. La sequenza dei passi da eseguire è la seguente:

- Aprire completamente il rubinetto dell'acqua calda sul miscelatore più lontano.
- Aprire la valvola di intercettazione. (Tabella 1, n. 4)
- Attendere che l'aria venga rilasciata dall'impianto e dal rubinetto miscelatore fuoriesca un forte getto d'acqua. Lascia scorrere l'acqua per circa 30 secondi.
- Chiudere il rubinetto dell'acqua calda sul miscelatore.
- Sollevare la piccola leva della valvola di scarico (Tabella 1, n. 5), attendere 30-60 secondi fino a quando un forte getto d'acqua fuoriesce dall'apertura laterale della valvola.
- Allentare la leva della valvola

AVVERTIMENTO! Se dall'orificio della valvola non scorre acqua o scorre solo un flusso d'acqua sottile, significa che c'è un guasto. Potrebbe essere presente contaminazione del tubo dell'acqua. Il guasto deve essere eliminato prima di poter mettere in funzione il dispositivo.

AVVERTIMENTO! La valvola combinata di non ritorno e scarico è uno dei dispositivi di protezione che garantiscono il funzionamento sicuro del boiler. È RIGOROSAMENTE VIETATO l'uso del boiler con una valvola combinata di non ritorno e scarico (valvola di sicurezza) danneggiata o smontata/non installata!

Se si desidera, la valvola di scarico può essere utilizzata anche per scaricare l'acqua dal serbatoio. In questo caso, procedere come segue:

- Scollegare il boiler da tutti i cavi elettrici sotto tensione.
- Chiudere l'ingresso dell'acqua fredda.
- Aprire il rubinetto dell'acqua calda sul miscelatore o chiudere il tubo dell'acqua calda (tubo di ritorno) del boiler.
- Sollevare la piccola leva della valvola di scarico (Tabella 1, n. 5) e attendere che fuoriesca più acqua dalla valvola.

AVVERTIMENTO! L'acqua corrente può essere calda - rischio di scottatura. Questi passi non garantiscono lo svuotamento completo del serbatoio d'acqua.

IMPORTANTE! Durante lo svuotamento del serbatoio d'acqua, adottare tutte le precauzioni necessarie per evitare danni causati dallo scarico dell'acqua.

IMPORTANTE! In Danimarca, Svezia, Norvegia e Finlandia, il collegamento del boiler alla rete idrica pubblica può essere effettuato solo per mezzo di un opportuno riduttore di pressione. Devono essere osservate le normative locali.

Connessione elettrica

AVVERTIMENTO! Ogni collegamento elettrico può essere effettuato solo quando il boiler è pieno d'acqua.

IMPORTANTE! Il boiler è alimentato con corrente continua. Il boiler è protetto contro le scosse elettriche "classe III" e può essere alimentato solo con una bassissima tensione di sicurezza (SELV). È possibile collegare solo fonti di alimentazione consigliate dal produttore. Un alimentatore difettoso e/o inadatto comporta un rischio elevato e può causare incidenti. I cavi di collegamento del dispositivo devono essere sostituiti se sono danneggiati.

IMPORTANTE! I moduli fotovoltaici possono essere collegati **SOLO** in **PARALLELO**. Quando si collegano più moduli fotovoltaici, utilizzare sempre un connettore idoneo per il collegamento in parallelo.

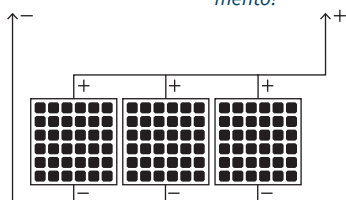
Per maggiori informazioni vedere l'illustrazione "Connettore per collegamento in parallelo di moduli fotovoltaici". Il collegamento in serie dei moduli fotovoltaici danneggerà il boiler.



Connettore fotovoltaico parallelo



Prestare attenzione alla corretta polarità durante il collegamento!



Il collegamento dei moduli fotovoltaici deve essere realizzato solo in configurazione parallela! Il collegamento in serie danneggerà il dispositivo!

Il collegamento elettrico dei boiler si esegue con l'ausilio delle spine MC4 fornite in fabbrica. Verificare la funzionalità dell'apparecchio dopo aver effettuato il collegamento elettrico. Quando tutti i collegamenti di alimentazione sono smontati, il boiler è completamente scollegato dalle fonti di alimentazione.

Collegamento di moduli fotovoltaici

IMPORTANTE! L'installazione e il collegamento elettrico in parallelo dei moduli fotovoltaici possono essere eseguiti solo da personale qualificato e non devono mettere in pericolo terzi. Durante l'installazione dei moduli fotovoltaici è necessario osservare le norme e i regolamenti locali.

IMPORTANTE! Tenere i cavi lontano dalla strada per evitare l'inciampare o l'avvolgimento. C'è il rischio di lesioni. I cavi devono essere fissati in modo tale che non venga applicato carico di trazione ai connettori. Inoltre, deve essere esclusa la possibilità

di frizione dei cavi e dei connettori su superfici e bordi (es. vento). I cavi non devono essere costantemente in acqua.

IMPORTANTE! Possono essere collegati solo moduli fotovoltaici con un massimo di 60, rispettivamente 120 cellule e tensione del circuito aperto 42,4 V.

- I moduli fotovoltaici devono essere collegati correttamente utilizzando le spine MC4 fornite in fabbrica.
- È possibile collegare fino a cinque moduli in parallelo. A seconda del modulo, ciò corrisponde a una potenza MPP di circa 1500 Wp

Dimensionamento della potenza fotovoltaica richiesta:

- Quanto maggiore è il numero di ore di sole al giorno, tanto minore è la necessaria energia fotovoltaica.
- Quanto più calda è l'acqua prelevata dalla tubatura, tanto minore è la necessaria potenza fotovoltaica.
- Determinare la necessaria potenza fotovoltaica in funzione dei mesi con il minor irraggiamento solare, durante i quali il boiler fotovoltaico funzionerà.
- Quanto maggiore è la quantità di acqua calda consumata giornalmente, tanto maggiore è la necessaria potenza fotovoltaica.

La tabella seguente serve come direzione per dimensionamento della necessaria potenza fotovoltaica in funzione delle condizioni climatiche:

condizioni climatiche	PVB-10	PVB-30	PVB-80
paesi con scarso soleggiamento, come l'Europa Settentrionale e Centrale	300 W _p	600 W _p	1200 W _p
paesi soleggiati, ad es. Sud Europa e Africa	150 W _p	300 W _p	600 W _p

I valori indicati sono indicativi. Secondo le condizioni prevalenti del sito e le condizioni specifiche di consumo, la costruzione adeguata della potenza fotovoltaica può differire dai valori descritti.

Estensione della linea fotovoltaica

Quando si estende il cavo fotovoltaico, le spine di contatto MC4 devono essere adeguatamente fissate per garantire funzionalità e sicurezza. In generale, il cavo fotovoltaico deve essere mantenuto il più corto possibile. La lunghezza consigliata in funzione della potenza nominale collegata del generatore fotovoltaico è riportata nella tabella seguente.

potenza fotovoltaica collegata	4 mm ²	6 mm ²	10 mm ²
~325 W _p	≤ 18 m	≤ 27 m	≥ 27 m
~650 W _p	≤ 11 m	≤ 16 m	≥ 16 m
~975 W _p	≤ 9 m	≤ 13 m	≥ 13 m

Lunghezza del cavo consigliata (là e indietro) per diverse capacità nominali e sezioni trasversali

Collegamento di un'alimentazione esterna


IMPORTANTE! Utilizzare solo blocchi d'alimentazione consigliati dal produttore. L'inosservanza delle esigenze causa perdita della garanzia e può danneggiare il boiler.

Gli alimentatori esterni sono caratterizzati dall'uso prolungato dei boiler fotovoltaici. Ad esempio, lunghi periodi di maltempo possono essere superati da alimentatori collegati per corrente alternata (numero del modello: PSU-12, PSU-18). Inoltre, hai la possibilità di convertire l'energia in eccesso dalle batterie fotovoltaiche in calore dal boiler. Per informazioni dettagliate, consultare la descrizione del rispettivo dispositivo.

Lavoro


AVVERTIMENTO! Questo apparecchio può essere utilizzato da persone (compresi bambini di età superiore agli 8 anni) con ridotte capacità fisiche o mentali solo se sono sorvegliate o istruite in tal senso da una persona responsabile. I bambini devono essere sorvegliati per assicurarsi che non giochino con l'apparecchio in nessun caso. I bambini non possono pulire o far funzionare il boiler.


Lavoro



Avviamento: Premere il pulsante  per tre secondi.

Display: La temperatura attuale dell'acqua viene visualizzata sul display.

- POWER IN: Potenza d'ingresso dei moduli fotovoltaici
- VOLTAGE: Tensione d'ingresso dei moduli fotovoltaici
- EXT SUPPLY: Collegamento di un'alimentazione esterna
- USED PV ENERGY: Totale energia fotovoltaica utilizzata

Navigazione nel menu: Premere brevemente il pulsante . Premendo nuovamente il pulsante si passa alla pagina successiva del menu.

Impostazioni: Premere più volte il pulsante . Ciò permette l'esecuzione di impostazioni individuali sul dispositivo. Nota: Le impostazioni sono attive solo quando alla caldaia fotovoltaica è collegata un'alimentazione esterna.

- CHANGE MIN. TEMPERATURE: Selezionare la temperatura minima desiderata premendo il pulsante .
- CHANGE SYSTEM MODE: Selezionare il regime desiderato, premendo il pulsante . Il regime 1 (PV HOME) è impostato come impostazione predefinita di fabbrica.


Breve guida: Regimi di sistema

Regime 1 (PV HOME)

Per il collegamento diretto di moduli fotovoltaici. Più alimentazione da fotovoltaici (acquistabile separatamente) se necessario.

Regime 2 a 6

Per collegamento di fonti di alimentazione esterne, come una batteria. È necessario un cavo per batteria fothermo, acquistabile separatamente. Puoi trovare informazioni più dettagliate nella descrizione del rispettivo prodotto.

Spegnimento: Premere il pulsante  - per tre secondi.

Altre note importanti

Perdita d'acqua

La valvola di sicurezza può gocciolare durante il funzionamento del boiler a causa dell'espansione dell'acqua durante il riscaldamento. Assicurarsi che l'acqua corrente sia convogliata in un contenitore di raccolta o in una fogna. L'acqua che gocciola non significa danno. L'apertura della valvola laterale non deve essere chiusa in nessun caso.

L'installazione di un tubo di drenaggio facilita le future operazioni di manutenzione e servizio, in quanto l'acqua può essere facilmente scaricata dal boiler.

Emissioni di rumore

Durante il processo di riscaldamento può essere generato rumore nell'apparecchio a causa di depositi di calcare sull'elemento riscaldante. L'aumento della formazione di incrostazioni può essere osservato a temperature dell'acqua superiori a 60 °C. Ciò può comportare un degrado della qualità e danneggiamento degli elementi riscaldanti e il boiler.

Formazione di Legionella

A causa del piccolo volume dei serbatoi dell'acqua calda, il rischio di formazione di legionella nell'impianto è quasi escluso. Tuttavia, al fine di adottare misure precauzionali, si raccomandano le seguenti misure:

- Approvvigionamento di acqua fresca o prelievo regolare di acqua.
- Frequente riscaldamento dell'acqua ad almeno 60 °C.
- Si consiglia di cambiare l'acqua dopo che l'apparecchio non è stato utilizzato per più di un mese.

Manutenzione

Protezione da corrosione

Ogni boiler ha un serbatoio d'acqua smaltato con protezione aggiuntiva contro la corrosione. Questa protezione anticorrosione è costituita da un anodo di magnesio (anodo sacrificale). L'anodo è una parte a rapida usura (cioè si consuma durante il norma-

le funzionamento del dispositivo). La vita media è di circa 3 anni che dipende principalmente dalla modalità di funzionamento dell'apparecchio, oltre che dalle caratteristiche dell'acqua riscaldata. Lo stato dell'anodo deve essere controllato a intervalli regolari e, se necessario, sostituito da uno specialista d'assistenza, autorizzato dal produttore o dal distributore.

Il rispetto della scadenza e il tempestivo rinnovo dell'anodo sono condizioni importanti per un'efficace protezione dalla corrosione del serbatoio d'acqua. L'ispezione e il rinnovo dell'anodo non sono inclusi nella garanzia del produttore o del distributore. Per garantire un funzionamento sicuro del boiler nelle regioni con acqua calcarea, si consiglia di pulire regolarmente il serbatoio d'acqua dal calcare accumulato. Tale pulizia dovrebbe essere effettuata almeno una volta a ogni due anni o più spesso nelle regioni con acqua calcarea. I depositi sul rivestimento smaltato non devono essere raschiati, ma solo puliti con un panno di cotone asciutto. La pulizia e la decalcificazione regolari sono essenziali per garantire il funzionamento sicuro dell'apparecchio. Durante la pulizia è necessario controllare anche l'anodo del serbatoio d'acqua smaltato. Questi servizi non sono coperti da garanzia e devono essere eseguiti da personale qualificato. Le istruzioni per il controllo della protezione dell'anodo e del rinnovo dell'anodo, nonché per la rimozione del calcare accumulato, devono essere osservate sia durante il periodo di garanzia del dispositivo che dopo la sua scadenza.

Valvola combinata di non ritorno e scarico

Per garantire il corretto e sicuro funzionamento del boiler, controllare periodicamente la ridotta permeabilità della valvola combinata di non ritorno e scarico. Per questo scopo, sollevare la leva e attendere circa 30-60 secondi fino a quando un forte flusso d'acqua scorre dall'apertura laterale della valvola. Tale controllo deve essere effettuato dopo che il serbatoio è stato riempito d'acqua, ad intervalli di 2 settimane e dopo che l'erogazione dell'acqua è stata interrotta e ripristinata. Se dall'orificio della valvola non esce acqua o scorre solo un piccolo getto, ciò indica un guasto. Potrebbe essere contaminazione della rete idrica. Il guasto deve essere eliminato prima della messa in servizio.

Pulizia


Il corpo esterno e le parti in plastica del boiler devono essere puliti esclusivamente con un panno di

cotone leggermente umido, senza agenti aggressivi e/o detersivi. Non pulire a vapore l'apparecchio. Il boiler può essere riavviato solo dopo che l'umidità è completamente scomparsa.

Guasto

In caso di guasto durante il funzionamento del boiler, scollegare tutti i cavi sotto tensione dall'apparecchio e contattare il produttore o il proprio distributore.

Protezione ambientale

Questo dispositivo è etichettato secondo la Direttiva sui rifiuti di apparecchiature elettriche ed elettroniche (WEEE). Garantendo che l'apparecchio venga consegnato a un centro di smaltimento appropriato al termine della sua vita utile, lei aiuterà la protezione dell'ambiente e la prevenzione degli effetti negativi sull'ambiente e sulla salute umana. Il simbolo  sul serbatoio d'acqua calda indica che l'apparecchio non deve essere smaltito con i normali rifiuti domestici al termine della sua vita utile. Il prodotto deve essere conferito ad un centro di smaltimento di rifiuti, dotato di attrezzature speciali per apparecchiature elettriche o elettroniche. Durante lo smaltimento del prodotto, l'utente finale deve rispettare le normative locali sullo smaltimento. Per informazioni più dettagliate sulle procedure di trattamento, recupero e riciclaggio, contattare l'ufficio comunale locale, il servizio di smaltimento dei rifiuti domestici o il commerciante al minuto dal quale è stato acquistato il prodotto.

Garanzia

La garanzia dell'apparecchio è valida solo alle seguenti condizioni:

- L'apparecchio è installato secondo le istruzioni di installazione e funzionamento.
- L'apparecchio viene utilizzato solo per lo scopo previsto e in conformità alle istruzioni di installazione e funzionamento.

La garanzia del produttore copre l'eliminazione di tutti i difetti di fabbricazione che si verificano durante il periodo di garanzia. Solo gli specialisti autorizzati dal venditore possono effettuare riparazioni. La

garanzia non copre i danni causati da:

- Trasporto improprio,
- conservazione impropria,
- uso improprio,
- parametri dell'acqua inadeguati,
- tensione elettrica inappropriata, diversa dalla tensione nominale,
- congelamento dell'acqua,
- rischi straordinari, incidenti o altre circostanze di forza maggiore,
- danni dovuti al mancato rispetto delle istruzioni di installazione e funzionamento e
- in tutti i casi in cui una persona non autorizzata tenti di riparare l'apparecchio

Nei casi sopra indicati, il danno sarà riparato contro pagamento. La garanzia non copre parti e componenti dell'apparecchio usurati durante il normale funzionamento, né parti smontate, luci e lampade di segnalazione, ecc., variazioni di colore delle superfici esterne, variazioni di forma, dimensioni e disposizione delle parti e dei componenti che hanno subito un intervento non conforme alle normali condizioni d'uso dell'apparecchio. Tutti i mancati guadagni, i danni materiali e immateriali derivanti dall'impossibilità temporanea di utilizzare il dispositivo durante il periodo della sua riparazione e manutenzione non sono coperti dalla garanzia del dispositivo.

IL RISPETTO DEI REQUISITI SPECIFICATI NEL MANUALE È PRESUPPOSTO PER IL FUNZIONAMENTO SICURO DEL PRODOTTO ACQUISTATO ED È COMPRESO NELLE CONDIZIONI DI GARANZIA. È ASSOLUTAMENTE VIETATA QUALSIASI MODIFICA O TRASFORMAZIONE NELLA COSTRUZIONE DEL PRODOTTO, EFFETTUATA DALL'UTENTE O DA PERSONE DA LUI AUTORIZZATE. TALI AZIONI O ESPERIMENTI PORTANO A RIMUOVERE GLI OBBLIGHI DI GARANZIA DEL PRODUTTORE O DEL DISTRIBUTORE. IL FABBRICANTE SI RISERVA IL DIRITTO DI APPORTARE MODIFICHE COSTRUTTIVE SENZA PREAVVISO, A CONDIZIONE CHE CIÒ NON PREGIUDICI LA SICUREZZA DEL PRODOTTO. SE NECESSARIO O IN CASO DI MALINTESI SULLA TRADUZIONE O SUI TERMINI UTILIZZATI IN

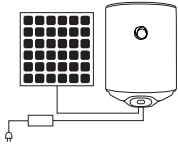
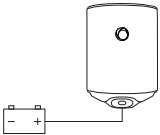
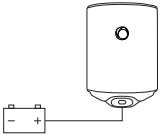
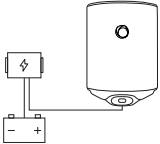
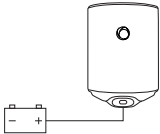
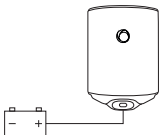
QUESTA VERSIONE LINGUISTICA DELLE ISTRUZIONI
DI INSTALLAZIONE E FUNZIONAMENTO, UTILIZZARE
LA VERSIONE TEDESCA COME ORIGINALE E DI BASE.

Specificatie

specificatie	eenheid	waarde		
fotovoltaïsche boiler				
productnaam	–	PVB-10	PVB-30	PVB-80
volume	l	9,5	29	77
maximaal verwarmingsvermogen	W	550	550	550
maximaal stroomverbruik	A	15,5	15,5	15,5
energie-efficiëntieklasse	–	A+	A+	A+
nominale druk	MPa	0,7	0,7	0,7
IP-class	–	X1	24	24
Bruto gewicht (± 3 %)	kg	7,2	15	25
max. water temperatuur	°C	65	65	65
instelbaar watertemperatuurbereik: voor optioneel opwarmen	°C	10–65	10–65	10–65
geïntegreerde MPP tracker	–	✓	✓	✓
geïntegreerde bescherming tegen omgekeerde polariteit	–	✓	✓	✓
digitaal display	–	✓	✓	✓
voorbereid voor externe naverwarming en batterijaansluiting	–	✓	✓	✓
Boiler van staal met email bekleding	–	✓	✓	✓
CE-certificaat	–	✓	✓	✓
boiler afmetingen (lengte, breedte, hoogte)	cm	28 x 28 x 44	40 x 40 x 60	47 x 48 x 90
water aansluiting	–	G½ (M)	G½ (M)	G½ (M)
gecombineerd terugslag- en overdrukventiel	–	✓	✓	✓
fotovoltaïsch input				
aanbevolen fotovoltaïsch stroom	W _p	100 – 300	300 – 600	600 – 1200
maximaal aangesloten fotovoltaïsche stroom	W _p	1500	1500	1500
maximale nullastspanning	V _{DC}	42,4	42,4	42,4
fotovoltaïsch connector	–	MC4	MC4	MC4

Opmerking: Alleen fotovoltaïsche modules met 36 cellen en 60 / 120 cellen kunnen worden aangesloten op de boiler.

System modi

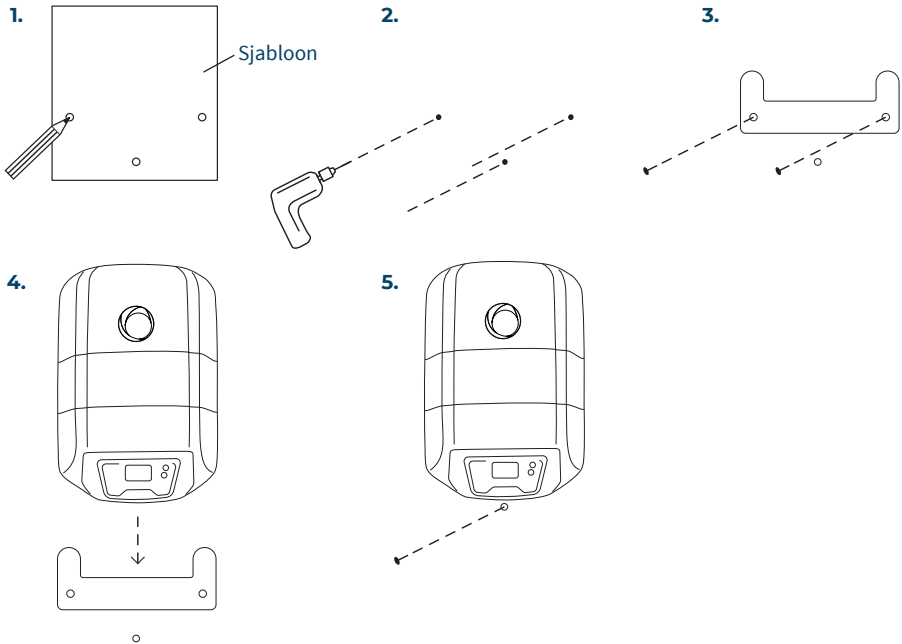
modi	afbeelding	omschrijving	energie bron
1		De boiler wordt voornamelijk gevoed door fotovoltaïsche stroom. Als er geen zonne-energie beschikbaar is, kan optioneel een fothermo voeding worden gebruikt om de boiler op te warmen tot de ingestelde minimumtemperatuur.	PV module + fothermo voedingsunit*
2		Wanneer de aangesloten batterij een spanning van 13,5 V bereikt, wordt de overtollige energie gebruikt om de boiler van stroom te voorzien. Dit gebeurt terwijl de batterij wordt opgeladen.	12 V batterij <i>Goedgekeurd:</i> <i>LiFePO4, loodzuur</i>
3		Naast het overschot controle zoals in modus 2, wordt de aangesloten batterij ontladen om de boiler te laten werken. Dit gebeurt zodra de temperatuur onder de ingestelde minimumtemperatuur daalt. Maar alleen totdat de batterijspanning onder de 12,4 V daalt.	12 V batterij <i>Goedgekeurd:</i> <i>LiFePO4, loodzuur</i>
4		Deze modus moet worden geselecteerd als er een externe energie management systeem (bijv. solar laadregelaar met diep-ontlading bescherming) die de stroom voor de boiler vrijgeeft.	Externe energie management
5		Zodra de batterij een spanning van 27,0 V tijdens het oplaadproces bereikt, wordt de overtollige energie gebruikt om de boiler van stroom te voorzien. Dit gebeurt terwijl de batterij wordt opgeladen.	24 V batterij <i>Goedgekeurd:</i> <i>LiFePO4, loodzuur</i>
6		Naast het overschot controle zoals in modus 2, wordt de aangesloten batterij ontladen om de boiler te laten werken. Dit gebeurt zodra de temperatuur onder de ingestelde minimumtemperatuur daalt. Maar alleen totdat de batterijspanning onder de 24,8 V daalt.	24 V batterij <i>Goedgekeurd:</i> <i>LiFePO4, loodzuur</i>

*kan apart gekocht worden.

Montage

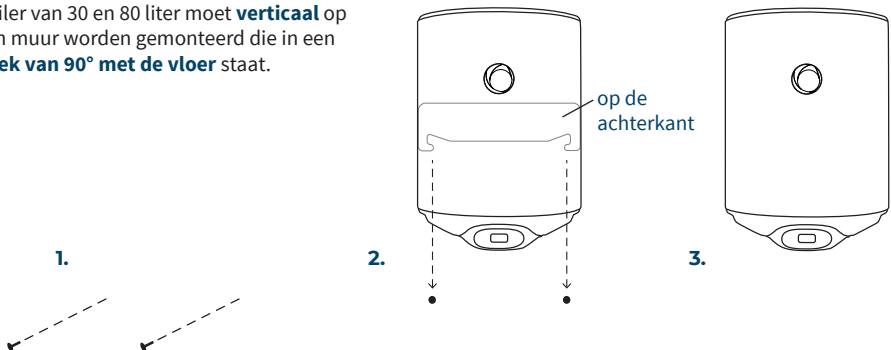
Fotovoltaïsche boiler – PVB-10

De boiler van 10 liter moet **verticaal** op een muur worden gemonteerd die in een **hoek van 90° met de vloer** staat.

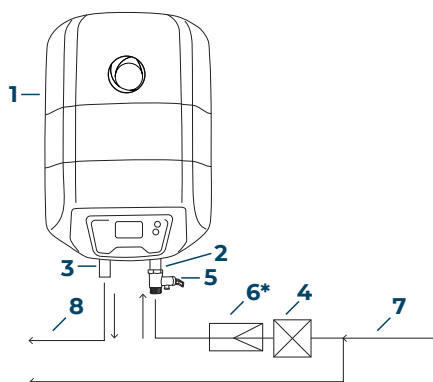


fotovoltaïsche boiler – PVB-30 en PVB-80

Boiler van 30 en 80 liter moet **verticaal** op een muur worden gemonteerd die in een **hoek van 90° met de vloer** staat.



Aansluiting



- 1 warmwatertank
- 2 watertoevoer
- 3 waterafvoer
- 4 afsluitventiel*
- 5 gecombineerde terugslag- en overdrukventiel

- 6 overdrukventiel*
- 7 koud water
- 8 warm water

*niet inbegrepen

*is nodig als waterdruk
> 0,5 MPa (5 bar)

Opwarmtijd van het water afhankelijk van de verwarmingsvermogen

vermogen	PVB-10	PVB-30	PVB-80
200 W	18°C/h	6°C/h	2°C/h
400 W	36°C/h	12°C/h	4.5°C/h
550 W	50°C/h	16°C/h	6°C/h

Opmerking

De waarden in de tabel dienen als richtlijn. De verwarmings tijden zijn afhankelijk van veel factoren (stroom, omgevingstemperatuur, wateronttrekking) en kunnen afwijken van de werkelijkheid. Hoe groter het aangesloten fotovoltaïsche vermogen is, hoe

meer het water kan worden verwarmd op dagen met weinig zonnestraling. Het water wordt verwarmd met een maximaal vermogen van 550 W, ook als er meer fotovoltaïsch vermogen beschikbaar is.

Verdere informatie

Algemene waarschuwingen

Gelieve deze handleidingen voorafgaand aan installatie en gebruik van de boiler aandachtig te lezen. De informatie die in deze handleiding staat is bedoeld om u kennis te maken met de boiler, de regels voor correct en veilig gebruik en de minimumvereisten voor onderhoud en service. Bovendien bent u verplicht deze handleiding beschikbaar te stellen aan gekwalificeerd personeel dat het apparaat zal installeren en eventueel repareren. De installatie van de boiler en de verificatie van zijn functionaliteit vallen niet onder de garantieverplichting van de distributeur, noch van de fabrikant.

Deze handleiding moet altijd in de buurt van het apparaat worden bewaard om later te kunnen raadplegen. Naleving van de erin omschreven regels maakt deel uit van de maatregelen voor een veilig gebruik van het product en wordt beschouwd als onderdeel van de garantieverwaarden

Veiligheidsinstructie

WAARSCHUWING! Bij gebruik van het toestel bestaat gevaar voor verbranding of brandwonden!

WAARSCHUWING! Kinderen mogen niet met het toestel spelen. Reiniging en onderhoud mogen niet door kinderen zonder toezicht worden uitgevoerd.

BELANGRIJK! De boiler mag alleen door gekwalificeerd personeel worden gemonteerd en aangesloten tot de waterleiding volgens de specificaties in deze handleiding en de relevante lokale regelgeving. De door de fabrikant geleverde of aanbevolen beveiligingsinrichtingen, evenals alle andere samenstellingen, moeten ONVOORWAARDELIJK worden gemonteerd!

BELANGRIJK! Zorg ervoor dat u de boiler met water vult voordat u deze op het elektriciteitsnet aansluit! Het niet naleven van de elektrische aansluitingsvoorwaarden tast de veiligheid van het toestel aan, waardoor de boiler niet in gebruik mag worden genomen.

BELANGRIJK! Neem de maximaal toelaatbare druk in acht (zie hoofdstuk: Technische gegevens).

Verdere belangrijke opmerkingen

- Het toestel staat onder druk. Tijdens het opwarmen kan er expansiewater uit het overdrukventiel druppelen.
- Gebruik het overdrukventiel regelmatig om te voorkomen dat het vast komt te zitten, b.v. om kalkaanslag te voorkomen.
- Installeer een gekeurd type overdrukventiel in de koud waterleiding. Hou er rekening mee dat, afhankelijk van de druk van de toevoerleiding, ook een drukregelaar noodzakelijk kan zijn.
- Monteer het overdrukventiel met de opening naar beneden.
- Monteer het overdrukventiel en de afvoerleiding met een gelijkmatige helling naar beneden in een vorstvrije ruimte.
- De opening van de overdrukklep moet open blijven.
- Dit toestel bevat oplaadbare batterij die niet vervangbaar is. Het is noodzakelijk dat het display's nachts functioneert. Een defect beperkt echter niet de algemene werking.
- Het toestel mag tot een hoogte van 4000 m boven zeeniveau bediend worden.

Technische gegevens

Deze boiler kan meerdere verbruikers van warm water voorzien via het waterleidingnet. Het water dat wordt gebruikt voor verwarming moet voldoen aan de eisen van de normatieve documenten voor gebruikswater, in het bijzonder: chloride inhoud tot 250 mg/l; elektrische geleidbaarheid meer dan 100 $\mu\text{S}/\text{cm}$, pH-waarde 6,5 - 8 voor boilers met geëmailleerde watertank. De thermische isolatie bestaat uit CFK-vrij polyurethaanschuim.

Het maximale elektrisch vermogen van de boiler is 550W. Het werkelijke vermogen van de verwarmingselementen is afhankelijk van zowel het aan-

gesloten fotovoltaïsche vermogen als de intensiteit van de zonnestraling. Het water wordt opgewarmd tot maximaal 65 °C om verbranding te vermijden. Gedetailleerde informatie vindt u op het gegevensblad of op het typeplaatje.

Het warm water opslagtanks zijn uitgerust met een gecombineerde terugslag- en overdrukklep (Table 1, Nr. 5) die ervoor zorgen dat het water tijdens het gebruik niet te veel onder druk komt. De watertanks zijn gemaakt van staal met een zeer sterke email-laag en extra kathodische bescherming met een magnesiumanode.

Montage

De boiler moet verticaal, in een vorstvrije en droge ruimte, dicht bij het aftappunt wordt gemonteerd. Het toestel is alleen voor vaste wandmontage ontworpen. Zorg ervoor dat de muur voldoende draagvermogen heeft. Bij het kiezen van een geschikte ondergrond voor het warm water opslagtanks moet met de volgende rekening worden gehouden:

- Type en materiaal van de wand
- afmetingen van het toestel
- montage type,
- plaats van de bevestigingselements voor wandmontage,
- plaats van de leidingen
- en beveiligingsniveau tegen lekkage.

De plaats van montage moet voldoen aan de eisen van de water- en elektrische installatie. Tijdens montage zorg voor voldoende afstand tot aangrenzende muren en voldoende ruimte onder het toestel voor de water- en fotovoltaïsche aansluitingen.

PVB-10

De ophangstrip (zie afbeelding 1) wordt stevig aan de muur bevestigd met twee pluggen en de meegeleverde schroeven. Na montage van de muurbeugel wordt de boiler op zijn plaats gehangen. De boiler wordt vervolgens aan de muur bevestigd met behulp van de derde plug en de derde schroef (zeskantschroef) door het oog aan de onderkant van de behuizing. Een boorgatsjabloon wordt bij het

product geleverd.

PVB-30 en PVB-80

De bevestigingselementen (bijv. stokschroeven van 12 mm) moeten worden beveiligd tegen verwijderen uit de muur. De bevestigingselementen moeten ontworpen zijn voor DRIE KEER van het gewicht van de met water gevulde boiler. Onder de schroefkoppen van stokschroeven moeten er vulringen worden geplaatst. Op de productverpakking is een boorgatsjabloon afgedrukt

Wateraansluiting

Bij het aansluiten van het toestel aan de waterleiding let op de pijlen en informatieringen rond de koud- en warmwaterleidingen (aanvoer- en retourleiding). De koudwaterleidingen heeft een blauwe ring en is gemarkeerd met een pijl die naar de pijp wijst. Een pijl buiten de pijp en een rode ring wijzen op de warmwaterleidingen.

De boiler is voorzien van een gecombineerd terugslag- en overdrukventiel. Deze is inbegrepen in de product en MOET op de koudwaterleidingen worden geïnstalleerd. Tijdens deze installatie moet u de pijl op het lichaam van de klep volgen die de richting van de waterstroom door de klep toont. De leidingaansluitingen hebben buitenschroefdraden G'A. Aansluitingsschema van de boiler vindt u op figuren 1 en 2.

De boiler werkt met de druk van de waterleiding. De waterdruk in het watertoevoersysteem moet hoger zijn dan 0,1 MPa (1 bar) en lager dan 0,5 MPa (5 bar). Als de waterleidingdruk hoger is dan 0,5 MPa, moet een reduceerventiel worden geïnstalleerd. Als extra accessoires die niet bij de levering zijn inbegrepen, moeten worden gebruikt in overeenstemming met de lokale voorschriften, moeten deze worden geïnstalleerd in overeenstemming met de specificaties.

Als de watertoevoerleidingen zijn gemaakt van koper of ander metaal dan van het metaal van de watertank, en als messing bevestigingsmiddelen worden gebruikt, moeten niet-metalen fittingen worden gemonteerd aan de inlaat- en retourzijde van het water boiler (diëlektrische fittingen)..

WAARSCHUWING! Het is verboden om tussen de gecombineerde klep en de warmwatertank afsluit- of terugslagfittingen te installeren, evenals de zijope-

ning van de gecombineerde klep te blokkeren en / of het hendel ervan te vergrendelen!

Een afvoersysteem om eventueel water te verwijderen dat uit de zijopening van het overdrukventiel kan druppelen, wordt aanbevolen. De afvoerleiding moet worden ontworpen met een constante helling in een vorstvrije omgeving en moet open blijven. Nadat de boiler op de waterleiding is aangesloten, moet de watertank worden gevuld met water. De volgorde van de uit te voeren stappen is:

- Draai de warmwaterkraan helemaal open op het verste gebruikspunt.
- Open afsluitventiel. (Tabel 1, Nr. 4)
- Wacht tot de lucht uit het systeem weg is en een krachtige waterstraal uit het kraan begint te stromen. Laat het water ongeveer 30 seconden lopen.
- Sluit de warmwaterkraan van de mengkraan.
- Til het kleine hendel van het overdrukventiel op (tabel 1, nr. 5), wacht 30-60 seconden totdat een sterke waterstraal uit de zijopening van de klep komt.
- Ontlastklep hijsen.

WAARSCHUWING! Als er geen water uit de klepopening stroomt of slechts een dunne stroom, betekent dit dat er een storing is. Er kan verontreiniging in de waterleiding zitten. De fout moet vóór de inbedrijfstelling worden hersteld.

WAARSCHUWING! De gecombineerde terugslag- en overdrukklep zijn een van de beveiligingsinrichtingen die de veiligheid van de boiler verzekeren. Het is streng **VERBODEN** om de boiler te gebruiken met een beschadigde of verwijderde/niet geïnstalleerde gecombineerde terugslag- en overdrukventiel (veiligheidsklep)!

Het overdrukventiel kan desgewenst ook worden gebruikt om het water uit de tank af te tappen. Handelt in dit geval als volgt:

- Koppel boiler los van alle onder spanning staande elektrische bedrading

- Sluit de koude watertoevoer af
- Open de warmwaterkraan van de mengkraan of ontkoppel de warmwaterleiding (retourleiding) van de boiler
- Kantel het kleine hendel van de ontlastklep (Tabel 1, Nr. 5) en wacht tot er geen water meer uit de klep komt.

WAARSCHUWING! Het afvoerwater kan heet zijn - gevaar voor verbranding. Deze stappen zorgen er niet voor dat het watertank volledig wordt afgetapt.

WAARSCHUWING! Houd bij het legen van het watertank rekening met alle noodzakelijke voorzorgsmaatregelen om schade door het afgevoerde water te voorkomen.

BELANGRIJK! In Denemarken, Zweden, Noorwegen en Finland mag de boiler alleen met een geschikt reduceerventiel op het openbare waternet worden aangesloten. Lokale voorschriften moeten worden nageleefd

Elektrische aansluiting

WAARSCHUWING! Alle elektrische aansluiting mag alleen worden uitgevoerd als de boiler met water is gevuld.

BELANGRIJK! De boiler wordt aangedreven door gelijkstroom. De boiler is beveiligd tegen elektrische schokken "klasse III" en mag alleen worden gevoed met extra lage veiligheidsspanning (SELV). Alleen door de fabrikant aanbevolen stroombronnen mogen worden aangesloten. Een defecte en/ of ongeschikte stroomvoorziening brengt een hoog risico met zich mee en kan een ongeval veroorzaken. De aansluitkabels van het apparaat moeten bij beschadiging worden vervangen.

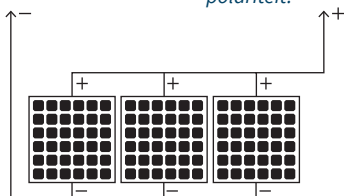
BELANGRIJK! Gebruik bij het aansluiten van meer dan één fotovoltaïsche module altijd een geschikte connector voor parallelle aansluiting. Raadpleeg de schema "Parallele PV-connector" voor meer informatie. Het in serie aansluiten van fotovoltaïsche modules zal de boiler beschadigen.



Parallel PV-Connector



Let bij het aansluiten op de juiste polariteit!



Aansluit PV-modules alleen in parallele configuratie! Seriële verbinding zal het apparaat beschadigen!

De elektrische aansluiting op de warmwaterboiler gebeurt via de elektrische aansluiting van de boilers gebeurt met behulp van de door de fabriek geleverde MC4-stekkers. Controleer na het voltooiën van de elektrische aansluiting de functionaliteit van het toestel. Wanneer alle voedingsaansluitingen zijn verwijderd, is de boiler volledig losgekoppeld van de stroombronnen.

Connectie van PV modules

BELANGRIJK! De installatie en elektrische parallele aansluiting van PV-modules mag alleen worden uitgevoerd door een gekwalificeerd persoon en mag geen gevaar opleveren voor derden. Bij het installeren van de fotovoltaïsche modules moeten de plaatselijk geldende regels en wetten worden nageleefd.

BELANGRIJK! Kabels altijd zo leggen dat niemand erover kan struikelen of eraan vast kan raken. Er bestaat letselgevaar. De kabels zo bevestigen dat er geen spanning op de connectoren komt. Verder moet worden uitgesloten dat de kabels en connectoren tegen oppervlakken en randen schuren (bijv. in de wind). Vermijdt dat de kabels permanent in het water zijn.

BELANGRIJK! Alleen fotovoltaïsche modules met een maximum van 60 resp. 120 cellen en een nullastspanning van 42,4 V kunnen worden aangesloten.

- Fotovoltaïsche modules moeten correct worden aangesloten met behulp van de door de fabriek geleverde MC4-stekkers.
- U kunt maximaal vijf modules parallel aansluiten. Afhankelijk van de module komt dit overeen met een MPP output van circa 1500 Wp.

Dimensionering van het benodigde fotovoltaïsche vermogen:

- Hoe hoger het verwachte aantal uren zonneschijn per gebruiksday, hoe lager het vereiste PV-vermogen.
- Hoe warmer het water dat uit de leiding wordt aangevoerd, hoe kleiner het benodigde PV-vermogen is.
- Bepaal het benodigde fotovoltaïsche vermogen volgens de maanden met de laagste zonnestraling waarin de fotovoltaïsche boiler in bedrijf zal zijn.
- Hoe hoger de vereiste hoeveelheid warm water per dag, hoe groter het vereiste PV-vermogen.

De volgende tabel dient als richtlijn voor het dimensioneren van het benodigde fotovoltaïsche vermogen in functie van de klimatologische omstandigheden:

klimatologische omstandigheden	PVB-10	PVB-30	PVB-80
Zonarme landen bijv. Noord- en Midden-Europa	300 W _p	600 W _p	1200 W _p
Zonnige landen bijv. Zuid-Europa en Afrika	150 W _p	300 W _p	600 W _p

De getoonde waarden zijn richtwaarden. Afhankelijk van de plaatselijke omstandigheden en de specifieke gebruiksomstandigheden kan het verstandige ontwerp van het fotovoltaïsche vermogen afwijken van de beschreven waarden.

Verlenging van de fotovoltaïsche lijn

Als de fotovoltaïsche kabel wordt verlengd, moeten de MC4-contactstekkers correct worden verbonden om de functionaliteit en veiligheid te garanderen. In principe moet de PV-kabel zo kort mogelijk zijn. Een aanbevolen lengte, afhankelijk van het nominale vermogen van de aangesloten PV-generator, vindt u in de onderstaande tabel.

Aange-sloten PV vermogen	4 mm ²	6 mm ²	10 mm ²
~325 W _p	≤ 18 m	≤ 27 m	≥ 27 m
~650 W _p	≤ 11 m	≤ 16 m	≥ 16 m
~975 W _p	≤ 9 m	≤ 13 m	≥ 13 m

Aanbevolen kabellengte (heen en weer) voor verschillende nominale vermogens en cross-sectie

Aansluiting van een externe voeding

BELANGRIJK! Gebruik alleen voedingen die door de fabrikant worden aanbevolen. Bij niet-naleving vervalt de garantie en kan de boiler beschadigd raken.


Externe voedingen uitbreiden gebruik van de fotovoltaïsche boiler. Lange perioden van slecht weer kunnen bijvoorbeeld worden overbrugd door aangesloten AC-voedingen (modelnummer: PSU-12, PSU-18). Bovendien heeft u een mogelijkheid om overtollige energie van fotovoltaïsch geladen accu's door de boiler in warmte om te zetten. Raadpleeg voor gedetailleerde informatie de beschrijving van de betreffende unit.

Bediening

WAARSCHUWING! Dit toestel mag worden bediend door een persoon (inclusief kinderen ouder dan 8 jaar) met verminderde fysieke of mentale capaciteiten alleen als deze onder toezicht staan of door een verantwoordelijke persoon zijn geïnstrueerd over het veilige gebruik van het apparaat. Kinderen moeten onder toezicht zijn om te voorkomen dat ze onder alle omstandigheden met het


apparaat spelen. Het is kinderen verboden de boiler schoon te maken of te bedienen.


Werking



Switch On: Druk op de knop  drie seconden

Display: De huidige watertemperatuur wordt weergegeven op de display.

- POWER IN: Ingangsvermogen van de PV-modules
- VOLTAGE: Ingangsspanning van de PV-modules
- EXT SUPPLY: Aansluiting van een externe voeding
- USED PV ENERGY: Totale PV energie verbruikt door de boiler

Menunavigatie: Druk kort op de knop . Door nogmaals op de knop te drukken, spring je naar de volgende pagina in het menu.

Instellingen: Druk herhaaldelijk op de knop . Hierdoor kunnen individuele aanpassingen op het toestel worden gemaakt. Let op: De aanpassingen zijn alleen actief wanneer een externe energievoorziening is aangesloten op de fotovoltaïsche boiler.

- CHANGE MIN. TEMPERATURE: Selecteer de gewenste minimumtemperatuur door op de knop  te drukken.
- CHANGE SYSTEM MODE: Selecteer de gewenste modus door op de knop  te drukken. Modus 1 (PV HOME) is ingesteld als de fabrieksinstelling.

Beknopt overzicht: Systeemmodi

Modus 1 (PV HOME)

Voor de directe aansluiting van fotovoltaïsche modules. Plus een fothermo voeding (apart verkrijgbaar) indien gewenst.

Modus van 2 tot 6

Voor het aansluiten van externe energiebronnen zoals een accu. Een fothermo-accukabel is nodig en kan apart worden aangekocht. Meer detail-

leerde informatie vindt u in de betreffende productbeschrijving.

Switch off: Druk op de knop  drie seconden.

Andere belangrijke opmerkingen

Waterlekkage

De overdrukklep kan kunnen druppelen bij normale werking van de boiler wegens uitzetting van het water tijdens het opwarmen. Zorg ervoor dat het lekkende water naar een opvangbak of afvoer wordt geleid. Het druppelen van water is g een defect. De zijdelingse klepopening mag op geen enkele manier worden gesloten. De installatie van een afvoerleiding vergemakkelijkt toekomstige onderhouds- en servicewerkzaamheden, omdat het water gemakkelijk uit de boiler kan worden afgevoerd

Geuidsontwikkeling

Tijdens het opwarmen van water kan er in het toestel ruis ontstaan door kalkaanslag op het verwarmingselement. Verhoogde kalkvorming is te zien bij watertemperaturen van meer dan 60 °C. Dit kan leiden tot verslechtering en schade aan de verwarmingselementen en de boiler.

Ontstaan van legionella

Wegens het kleine volume van de warmwaterboiler kan het risico op legionellavorming in het systeem vrijwel volledig worden uitgesloten. Als preventieve maatregelen worden echter het volgende aanbevolen:

- Aanvoer van vers water of regelmatige waterafname.
- Het water wordt regelmatig verwarmd tot minimaal 60 °C.
- Het is aanbevolen om het water te verversen als het toestel langer dan een maand niet in gebruik was.

Onderhoud

Corrosiebescherming

In elke boiler met geëmailleerde watertank is extra corrosiebescherming ingebouwd. Deze corrosiebescherming bestaat uit een magnesiumanode (opofferingsanode).

De anode is een verbruiksartikel (d.w.z. slijtage tijdens normaal gebruik van het toestel). De gemiddelde levensduur is 3 jaar, dat afhankelijk is van de bedrijfsmodus van het toestel en van de eigenschappen van het verwarmingswater. Regelmatig moet een specialist van de door de fabrikant of verkoper geautoriseerde aftersaleservice de staat van de anode controleren en indien nodig vervangen.

Naleving van de deadline en tijdige vervanging van de anode zijn belangrijke voorwaarden voor een efficiënte anticorrosiebescherming van de boiler. De keuring en vernieuwing van de anode vallen niet onder de garantieverplichtingen van de fabrikant en dealer. Om een veilige werking van de boiler in gebieden met kalkhoudend water te garanderen, wordt aanbevolen om het waterreservoir regelmatig te reinigen van opgehoopt kalksteen. Deze reiniging dient minimaal een keer in de twee jaar te worden uitgevoerd, of vaker in regio's met kalkhoudend water. De afzettingen op de emailaag mogen niet worden afgeschrapt, alleen worden afgeveegd met een droge katoenen doek. Regelmatige reiniging en verwijdering van kalkaanslag is bijzonder belangrijk voor de veilige werking van het toestel. Het is raadzaam tegelijkertijd de anode van het geëmailleerde waterreservoir te controleren. Deze diensten maken geen deel uit van de garantie en moeten worden uitgevoerd door competente personen. De voorschriften voor het controleren van de anodebescherming en het vervangen van de anode en het verwijderen van de verzamelde kalkaanslag moeten zowel tijdens als na de garantieperiode van het toestel worden nageleefd.

Gecombineerd terugslag- en overdrukventiel

Om een probleemloze en veilige werking van de warmwaterboiler te waarborgen wordt de combiklep regelmatig gecontroleerd op verminderde permeabiliteit. Tilt u hiervoor het kleine hendel op totdat er een sterke waterstraal uit de zijklepopening komt en wacht ongeveer 30-60 seconden. Deze controle moet worden uitgevoerd nadat de boiler met water is gevuld, met tussenpozen van 2 weken en na uitval en herstel van de watervoorziening. Als er geen water of slechts een dunne stroom uit de klepopening stroomt, duidt dit op een defect. Mogelijk is er een verontreiniging van de waterleiding aanwezig. De fout moet vóór de inbedrijfstelling worden verholpen.

Reiniging

De buitenlaag en de plastic onderdelen van de boi-

ler kunnen alleen worden gereinigd met een licht vochtige katoenen doek, zonder agressieve en/of schuurmiddelen. Het is verboden het toestel te reinigen met een stoomapparaat. De boiler kan pas weer in gebruik worden genomen nadat het vocht volledig is verwijderd.

Defecten

Als er een storing optreedt tijdens het gebruik van de boiler, koppel dan alle spanning voerende leidingen van het toestel los en neem contact op met de fabrikant of uw dealer.

Milieubescherming

Dit toestel is gemarkeerd volgens de Richtlijn betreffende afgedankte elektrische en elektronische apparatuur (AEEA). Door ervoor te zorgen dat het toestel aan het einde van zijn levensduur naar een geschikt afvalverwerkingscentrum wordt gebracht, helpt u het milieu te beschermen en negatieve effecten op het milieu en de menselijke gezondheid te voorkomen. Het symbool  op de boiler geeft aan dat het toestel aan het einde van zijn levensduur niet met het normale huisvuil mag worden weggegooid. Het moet naar een afvalverwerkingscentrum worden gebracht met speciale voorzieningen voor elektrische of elektronische apparatuur. De eindgebruiker moet de plaatselijke afvalverwerkingsvoorschriften voor afvalverwerking in acht nemen. Neem voor meer informatie over behandeling, terugwinning en het recyclingproces contact op met uw stadskantoor, uw plaatselijke afvalverwerkingscentrum of de winkel waar u het product hebt gekocht.

Garantie

De garantie voor het apparaat is alleen geldig onder de volgende voorwaarden:

- Het toestel is gemonteerd in overeenstemming met de installatie- en bedieningsinstructies.
- Het toestel wordt alleen gebruikt voor de voorzien toepassing en in overeenstemming met de installatie- en bedieningsinstructies.

De garantie omvat het verhelpen van alle fabricage-defecten die zich tijdens de garantieperiode kunnen

voordoen. Alleen door de verkoper geautoriseerde vakmensen mogen de herstellingen uitvoeren. De garantie dekt geen schade door:

- Verkeerd vervoer,
- Onjuiste opslag
- Verkeerd gebruik
- Ongeschikte waterwaarden
- Onjuiste elektrische spanning die afwijkt van de nominale spanning
- bevroering van water,
- uitzonderlijke risico's of andere overmacht,
- Het niet naleven van de montage- en gebruiksaanwijzing en
- In alle gevallen waarin een onbevoegd persoon probeert het apparaat te repareren.

In voornoemde gevallen wordt de schade tegen vergoeding hersteld. De garantie van het toestel is niet van toepassing op onderdelen en componenten van het apparaat die bij normaal gebruik zijn versleten, noch op onderdelen die bij normaal gebruik worden gedemonteerd, op lampen en signaallampen enz., op verkleuring van externe oppervlakken, op veranderingen in de vorm, afmetingen en opstelling van onderdelen en componenten die zijn blootgesteld aan een impact die niet in overeenstemming is met de normale gebruiksomstandigheden van het toestel. Gemiste voordelen, materiële en immateriële schade als gevolg van tijdelijke onbruikbaarheid van het toestel tijdens reparatie- en onderhoudswerkzaamheden vallen niet onder de garantie van het toestel.

NALEVING VAN DE IN DE HANDLEIDING GESPECIFICEERDE EISEN IS VEREIST VOOR DE VEILIGE WERKING VAN HET GEKOCHE PRODUCT EN MAKEN DEEL UIT VAN DE GARANTIEVOORWAARDEN. ALLE WIJZIGINGEN OF AANPASSINGEN IN HET ONTWERP VAN HET PRODUCT DOOR DE EIGENAAR OF ZIJN GEAUTORISEERDE VERTEGENWOORDIGERS ZIJN TEN STRENGSTE VERBODEN. IN GEVAL VAN DERGELIJKE HANDELING OF POGING VERVALLEN DE GARANTIEVERPLICHTINGEN VAN DE FABRIKANT OF DISTRIBUTEUR. DE FABRIKANT BEHOUDT ZICH

HET RECHT VOOR OM STRUCTURELE WIJZIGINGEN AAN TE BRENGEN ZONDER KENNISGEVING, MITS DE VEILIGHEID VAN HET PRODUCT NIET IN HET GEDRANG KOMT INDIEN NODIG OF IN GEVAL VAN MISVERSTANDEN MET BETREKKING TOT DE VERTALING OF TERMEN DIE IN DEZE TAALVERSIE VAN DE MONAGE- EN BEDIENINGSHANDLEIDING WORDEN GEBRUIKT, GELIEVE DE DUITSE VERSIE ALS ORIGINELE EN PRIMAIRE VERSIE TE GEBRUIKEN.

